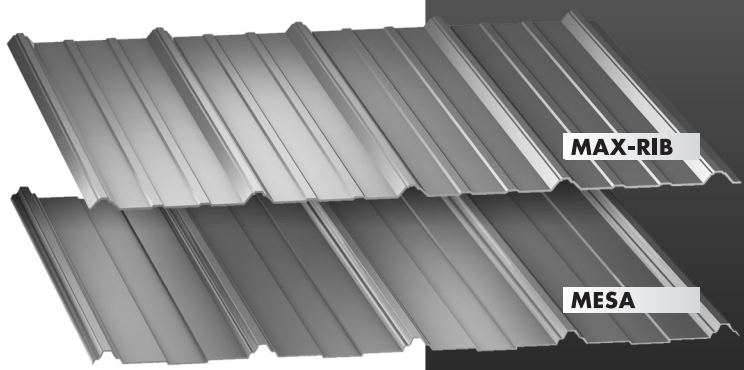
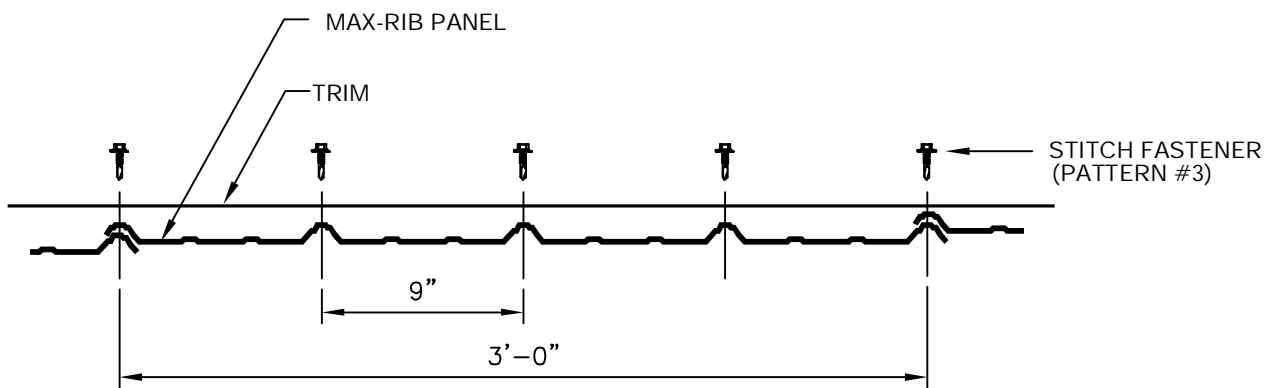
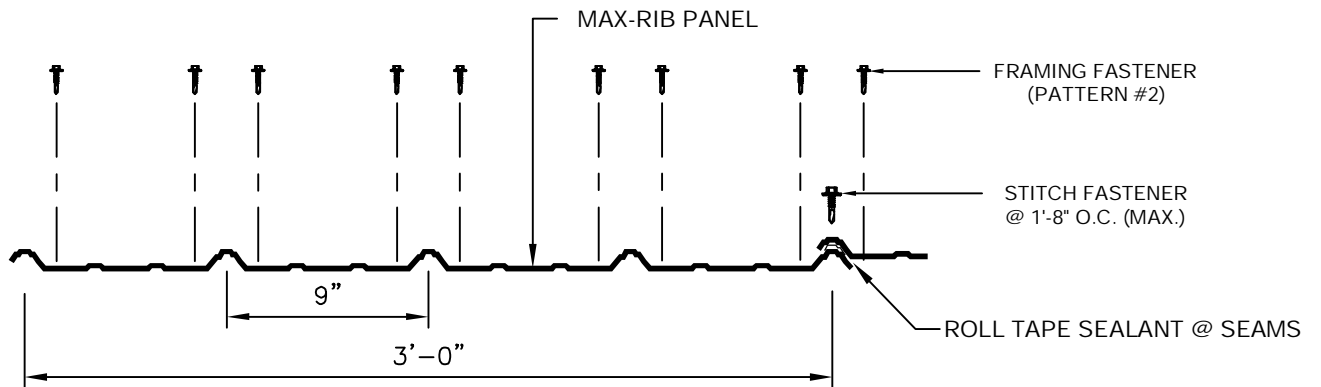
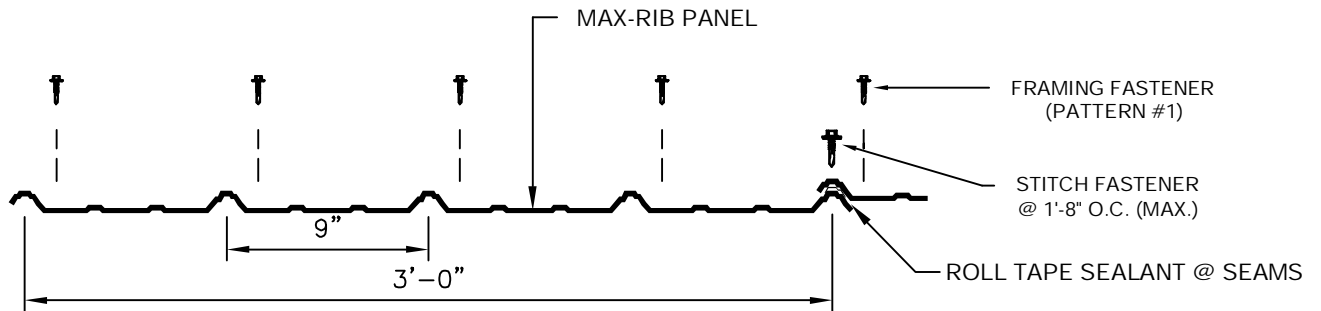


MAX-RIB MESA

INSTALLATION

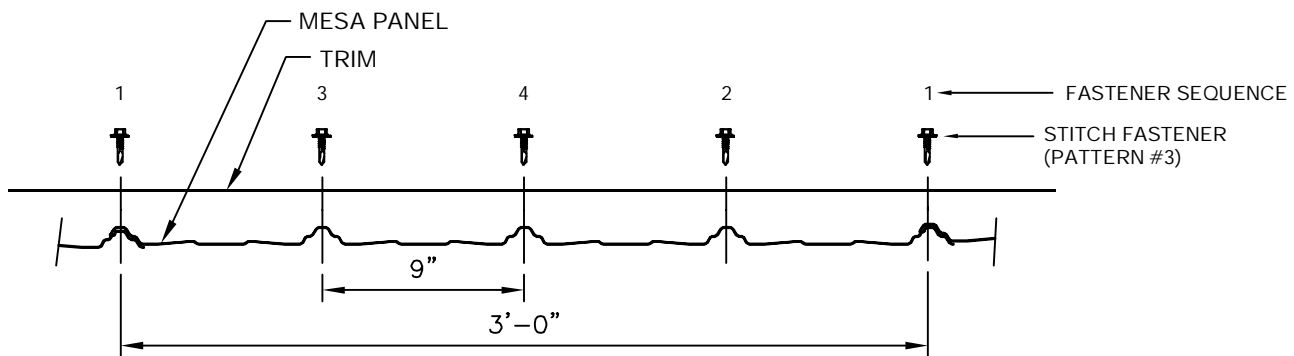
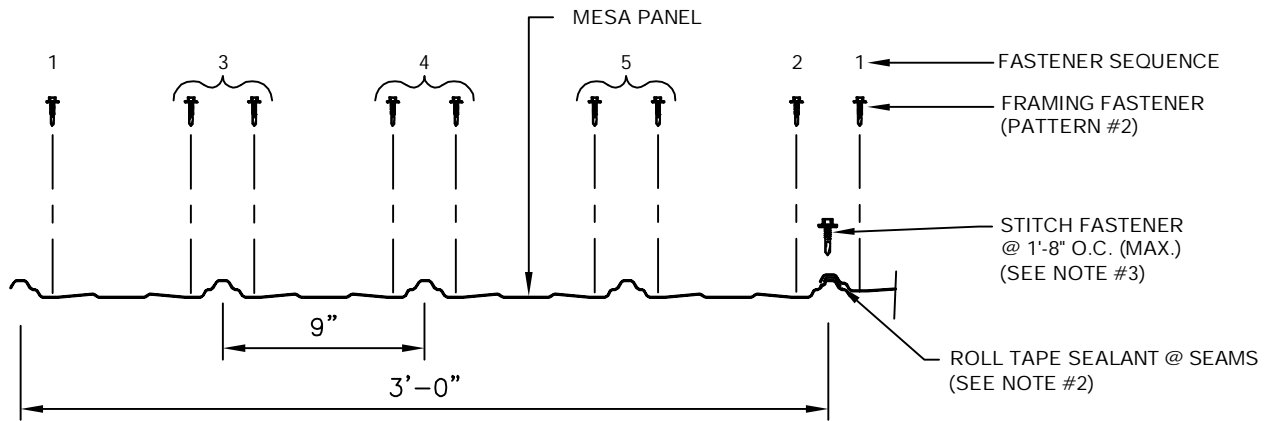
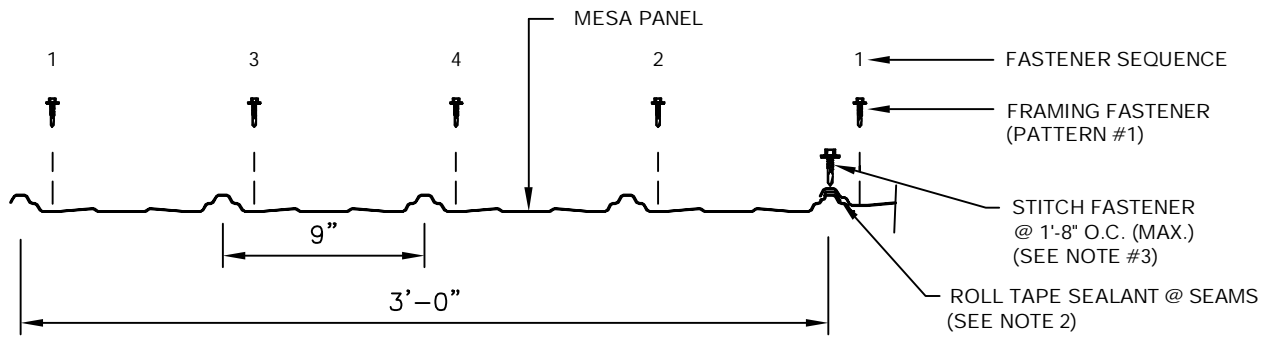


TYPICAL FRAMING AND STITCH FASTENER PATTERNS FOR MAX-RIB PANELS



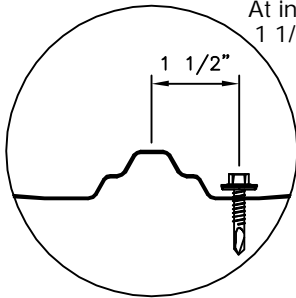
NOTE: TAPE SEALANT ON WALL SEAMS AND BOTH SIDES OF CLOSURE IS OPTIONAL.

TYPICAL FRAMING AND STITCH FASTENER PATTERNS FOR MESA



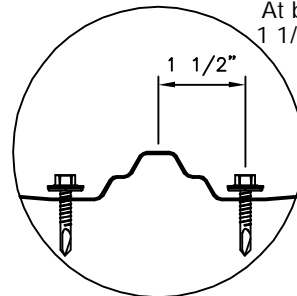
FASTENER PATTERN #1

At intermediate supports:
1 1/2" on each side of major ribs.



FASTENER PATTERN #2

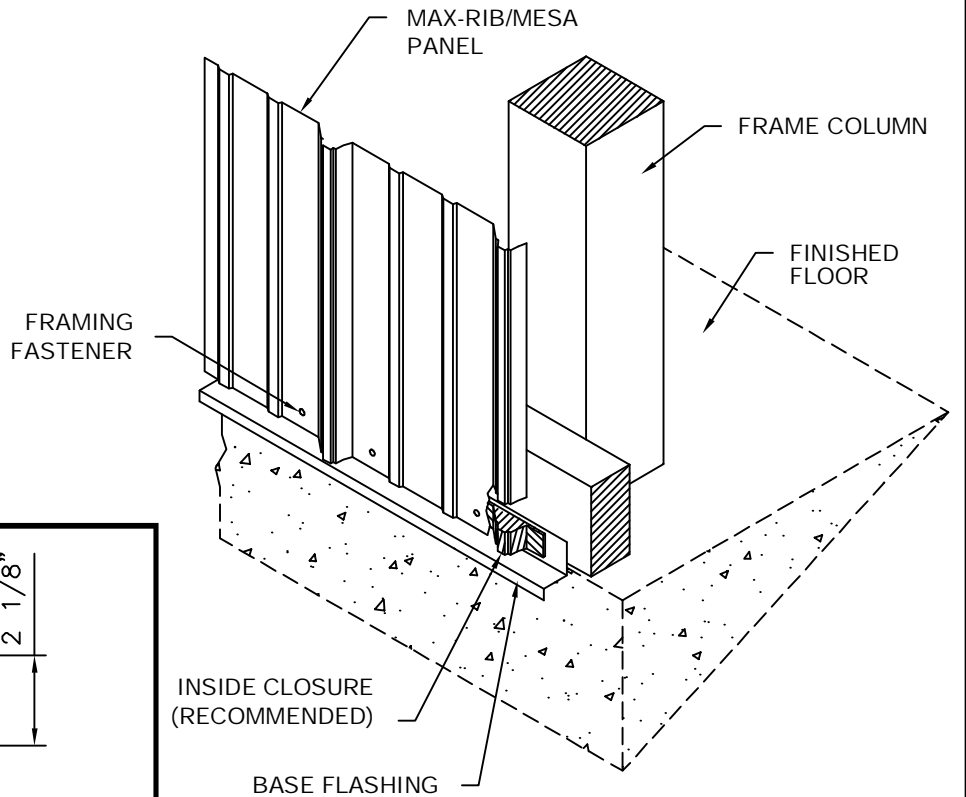
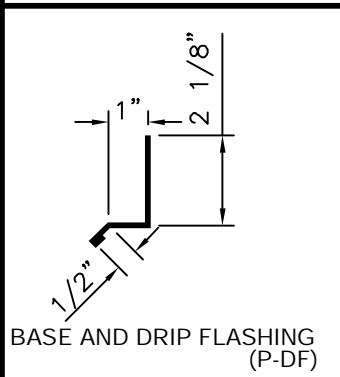
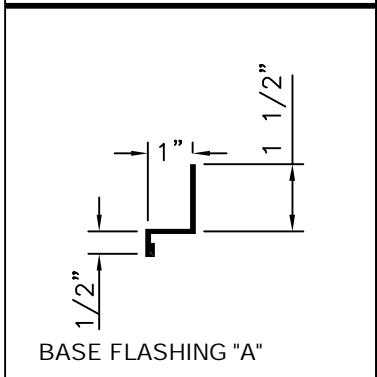
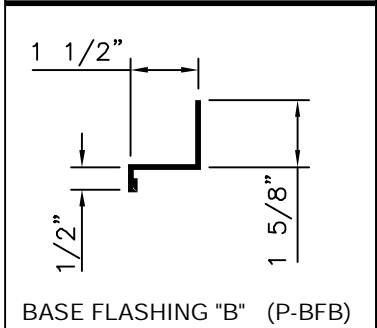
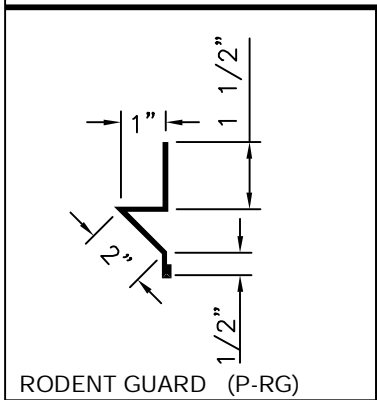
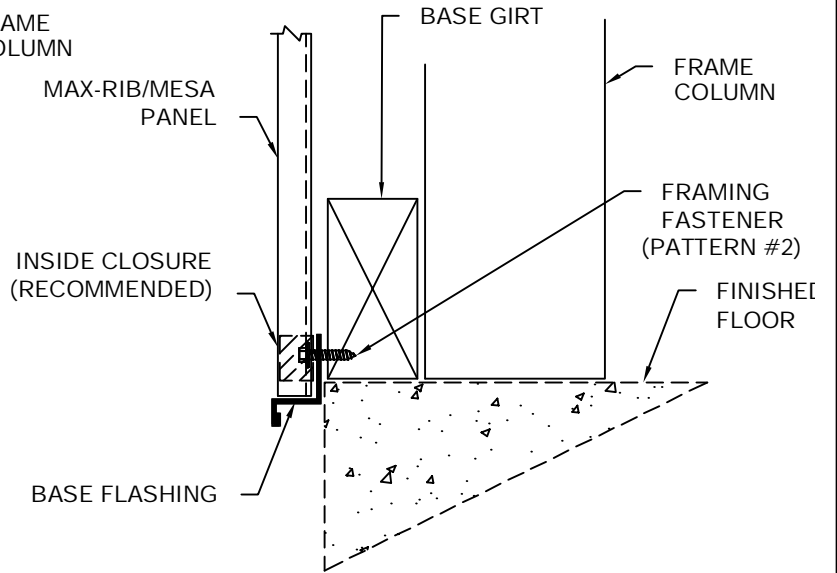
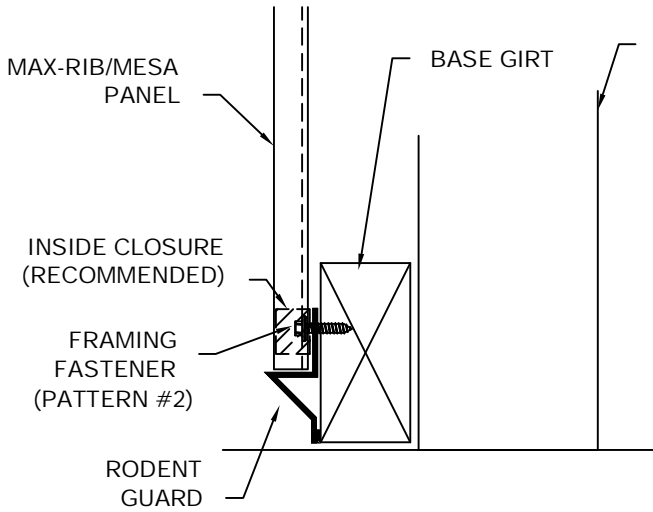
At base, eave, ridge & lap:
1 1/2" on each side of major ribs.



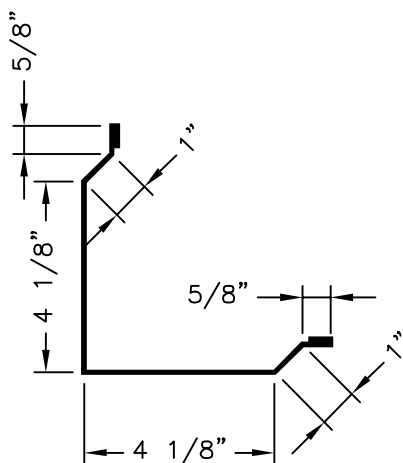
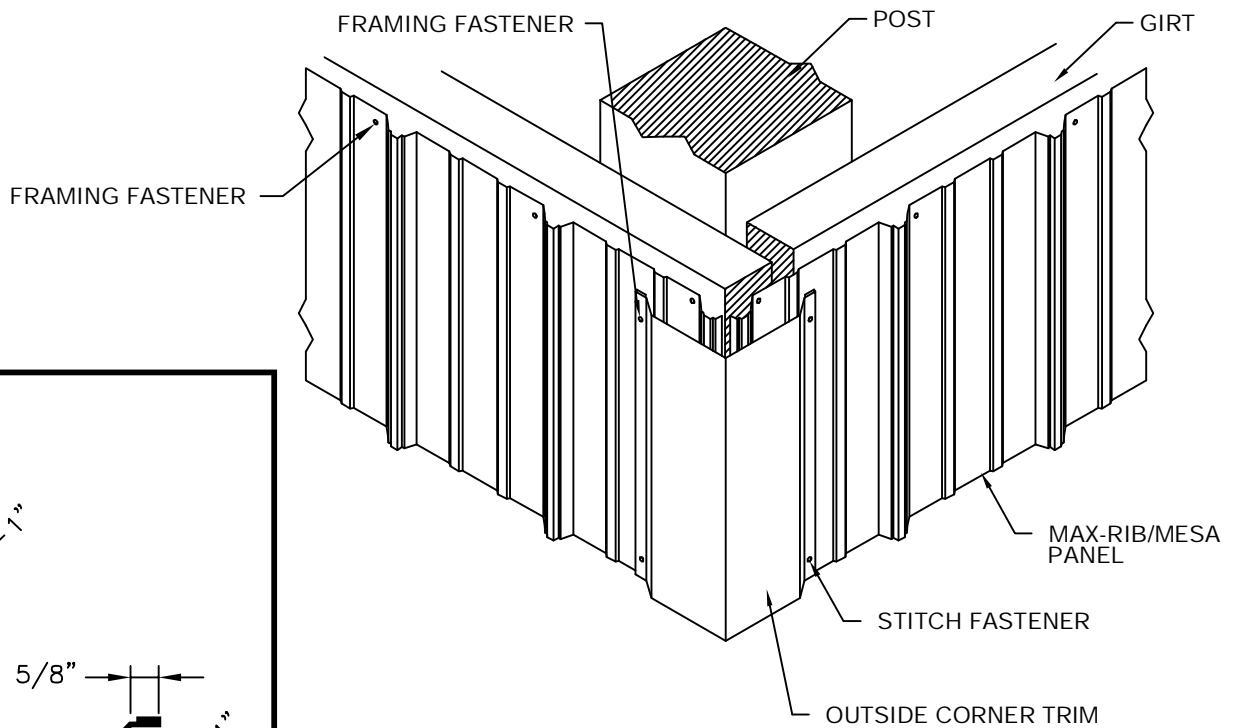
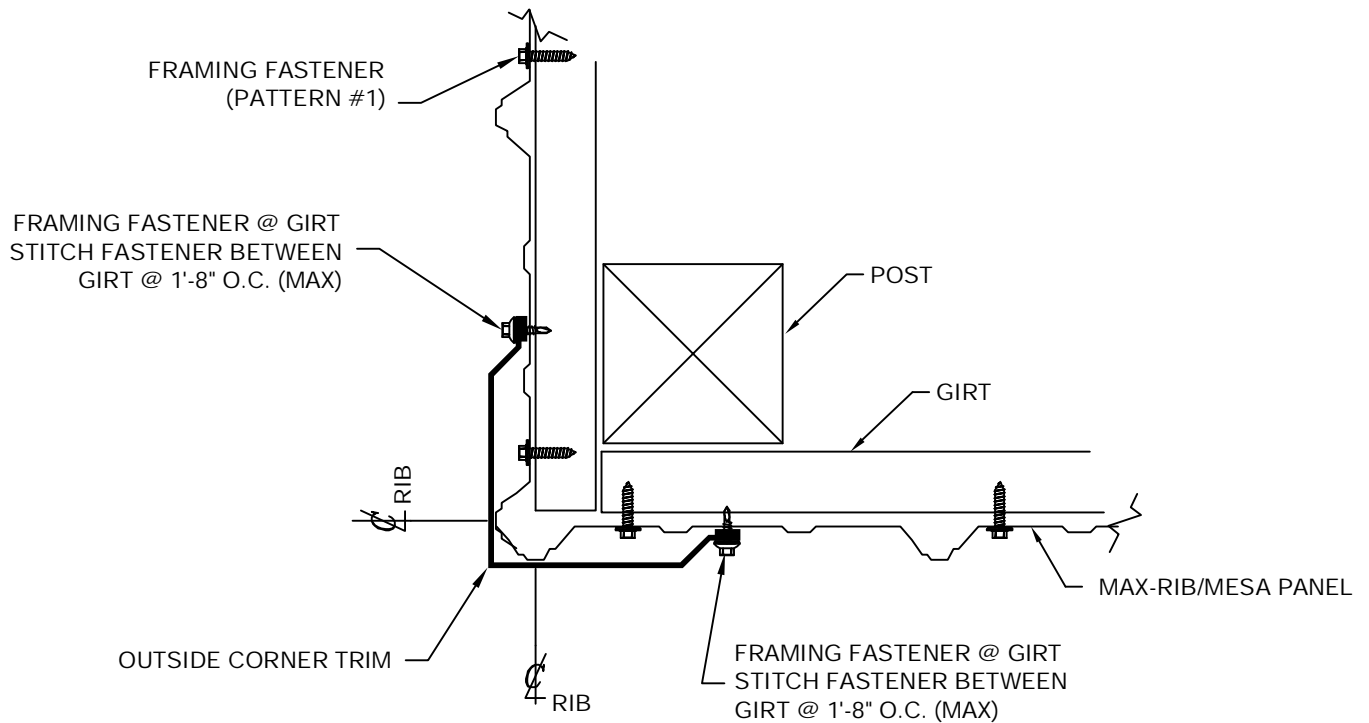
NOTES:

- 1.) TAPE SEALANT NOT REQUIRED FOR WALL SEAMS OR BOTH SIDES OF CLOSURE.
- 2.) TAPE SEALANT NOT REQUIRED FOR 3:12 OR GREATER SLOPES.
- 3.) STITCH FASTENERS MAYBE REQUIRED FOR ENGINEERING DIAPHRAGM BRACING.

BASE TRIM DETAIL

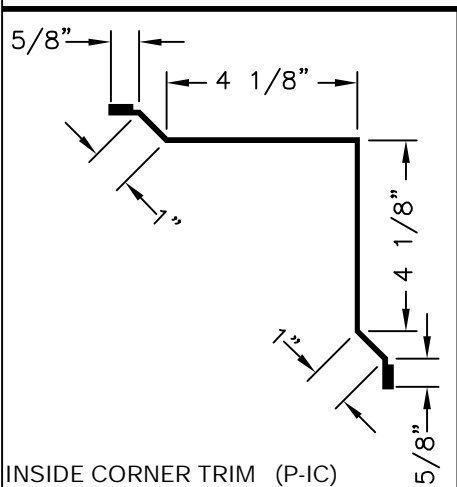
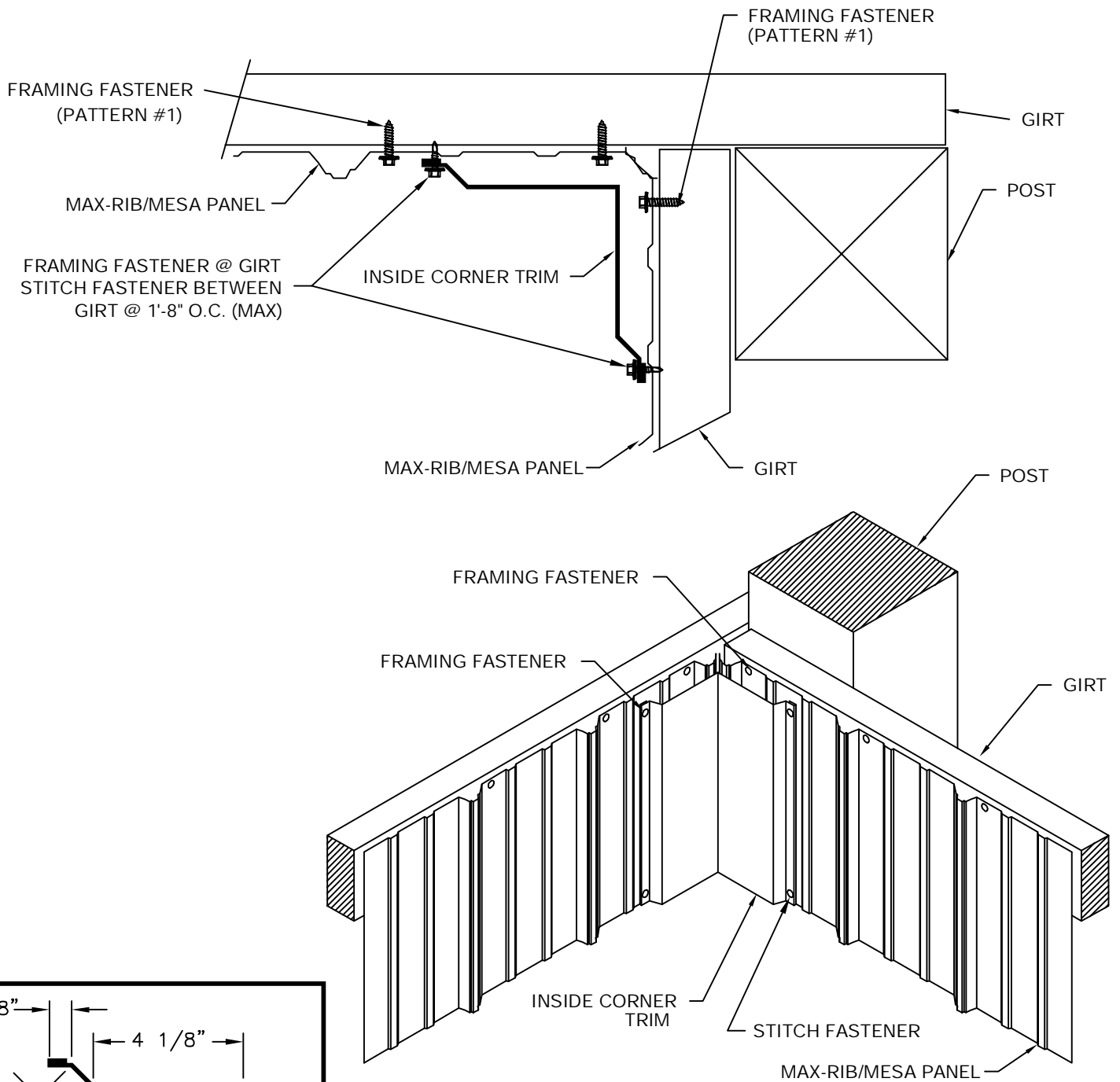


OUTSIDE CORNER DETAIL

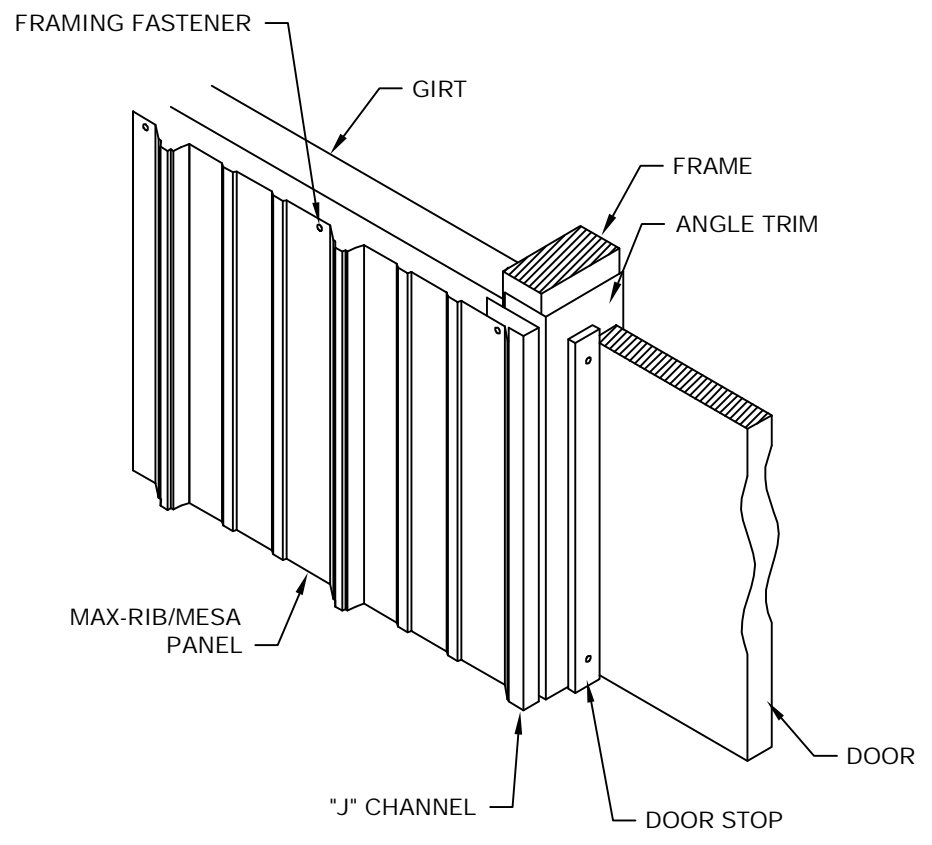
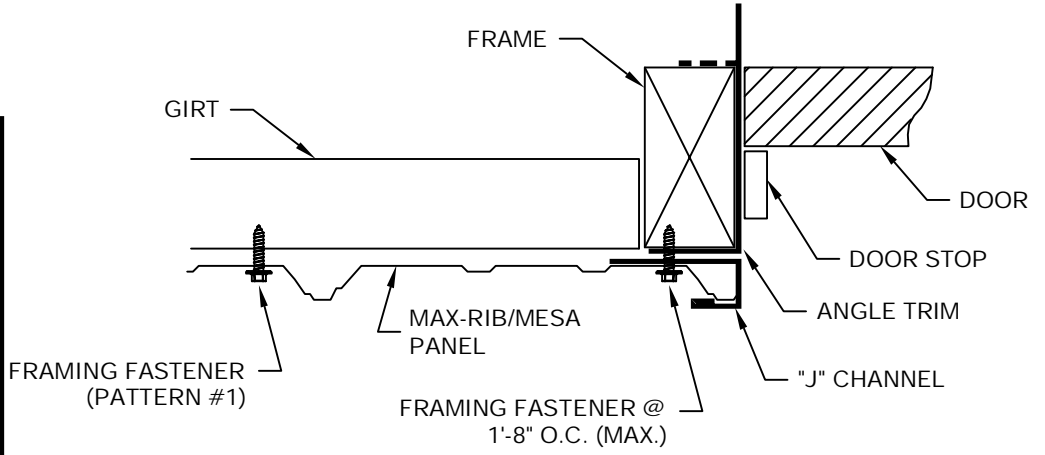
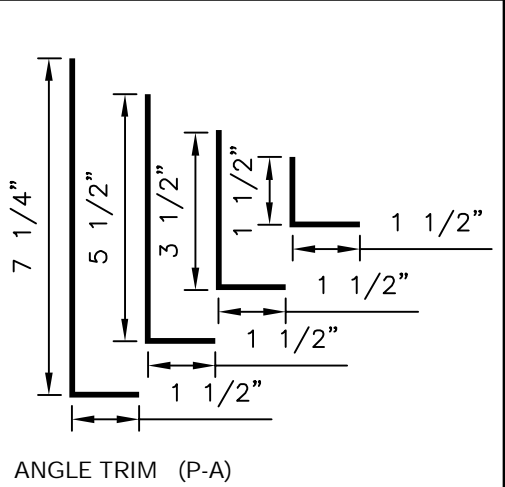
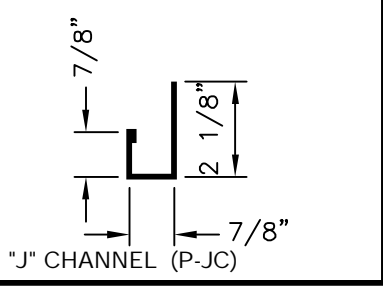
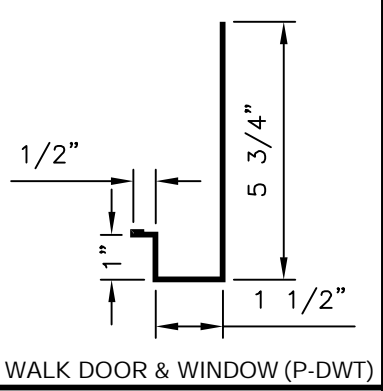
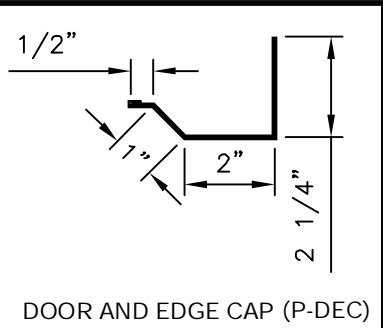


OUTSIDE CORNER TRIM

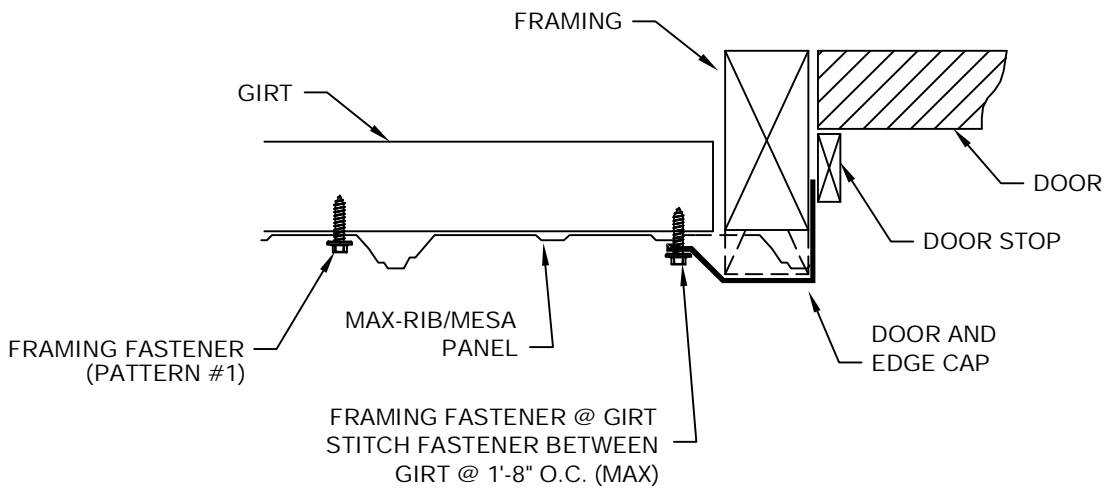
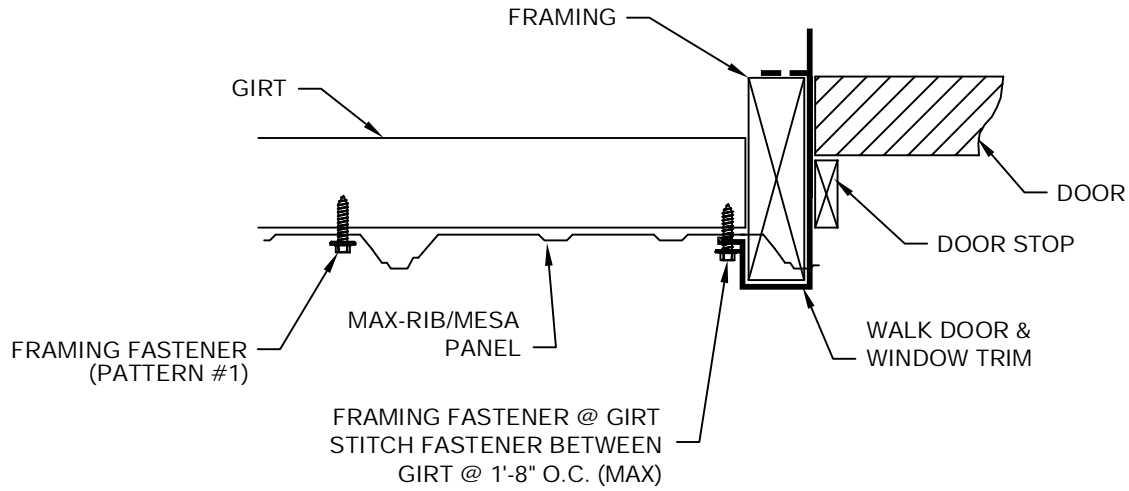
INSIDE CORNER DETAIL



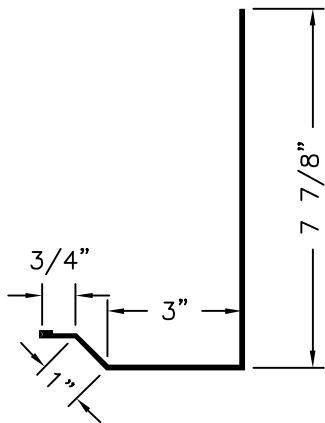
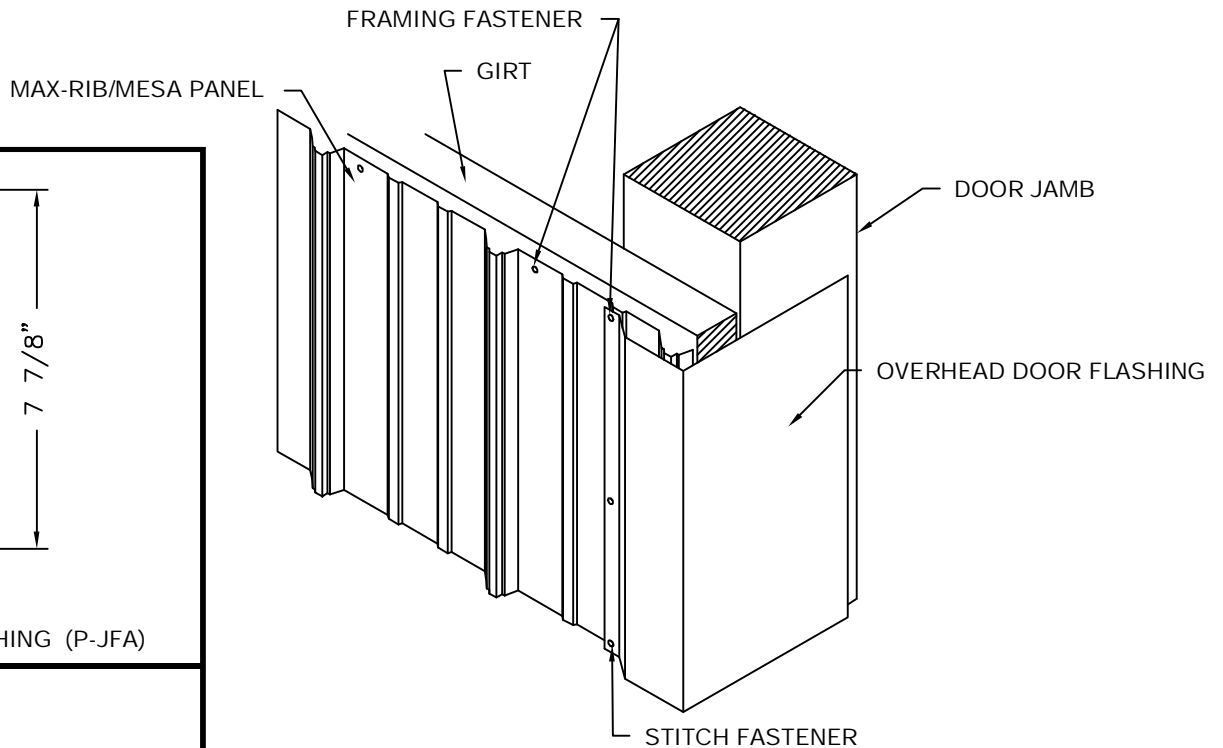
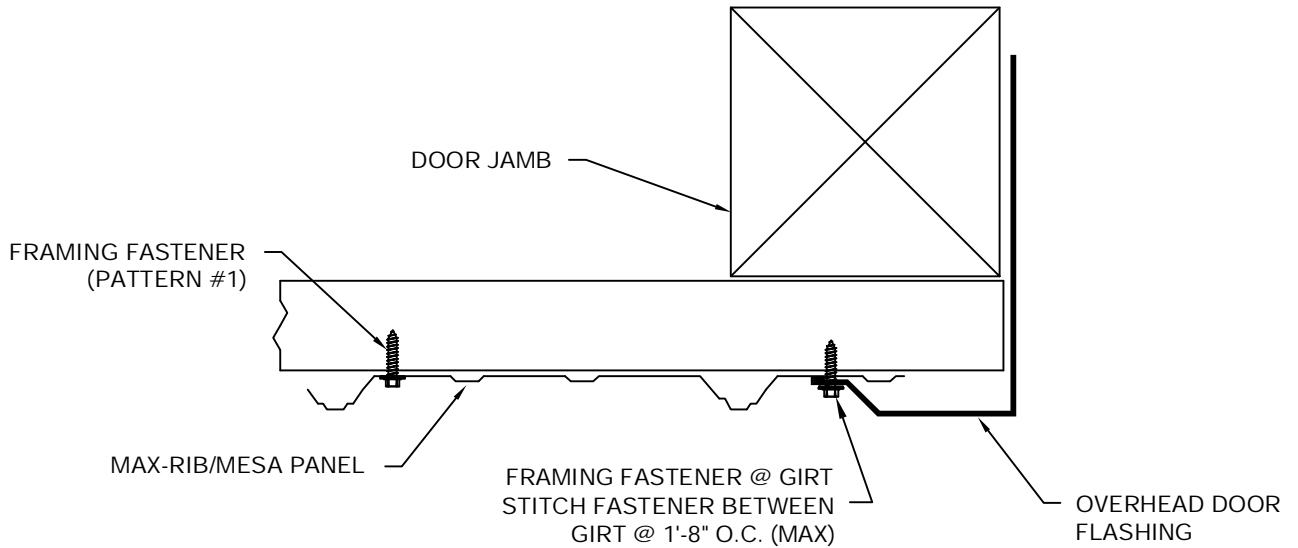
WINDOW & DOOR JAMB DETAIL



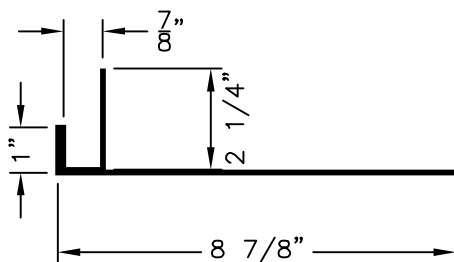
WINDOW & DOOR JAMB DETAIL



OVERHEAD DOOR JAMB DETAIL

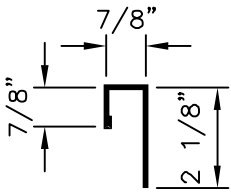
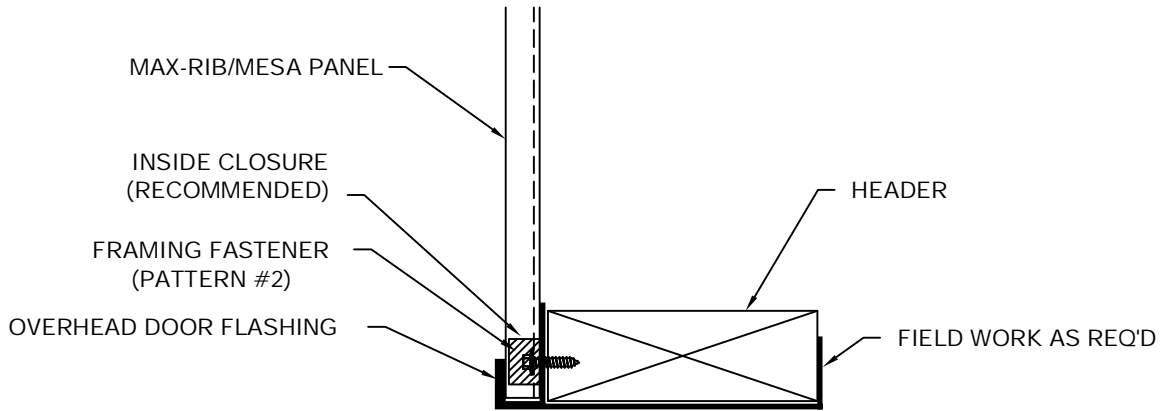


OVERHEAD DOOR FLASHING (P-JFA)

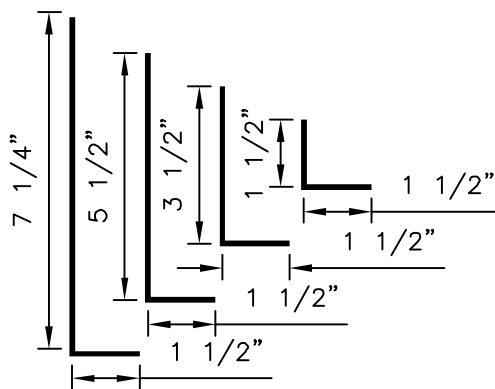


DOOR JAMB FLASHING (P-JFB)

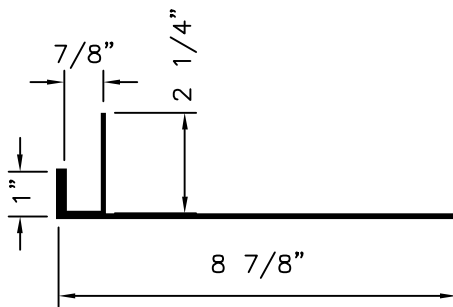
OVERHEAD DOOR HEADER DETAIL



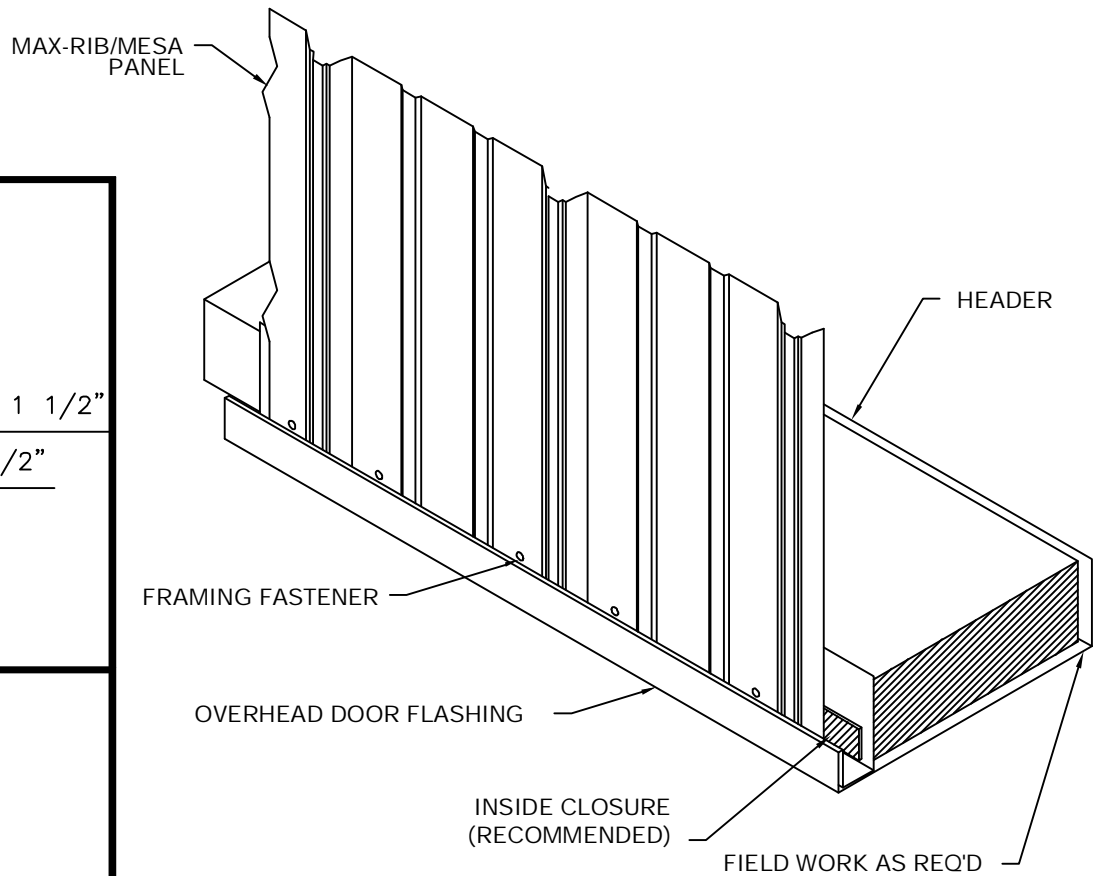
"J" CHANNEL (P-JC)



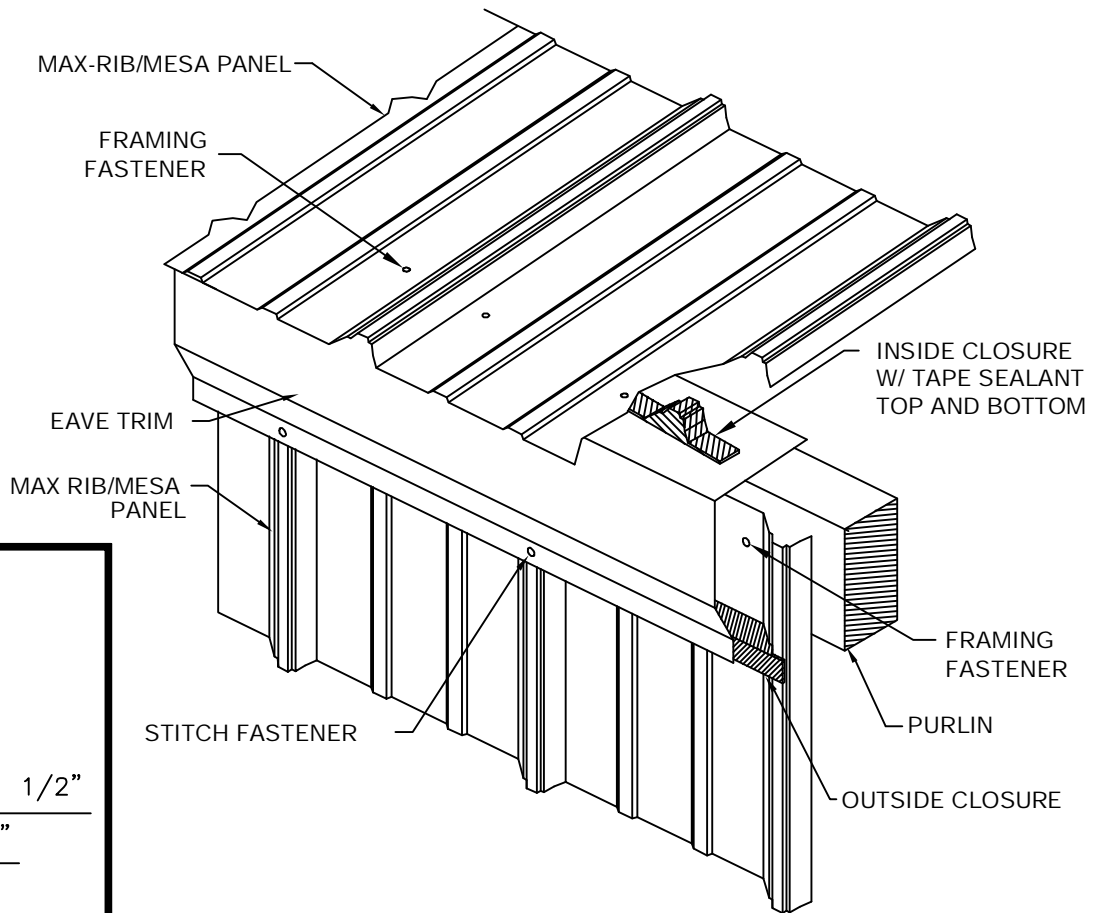
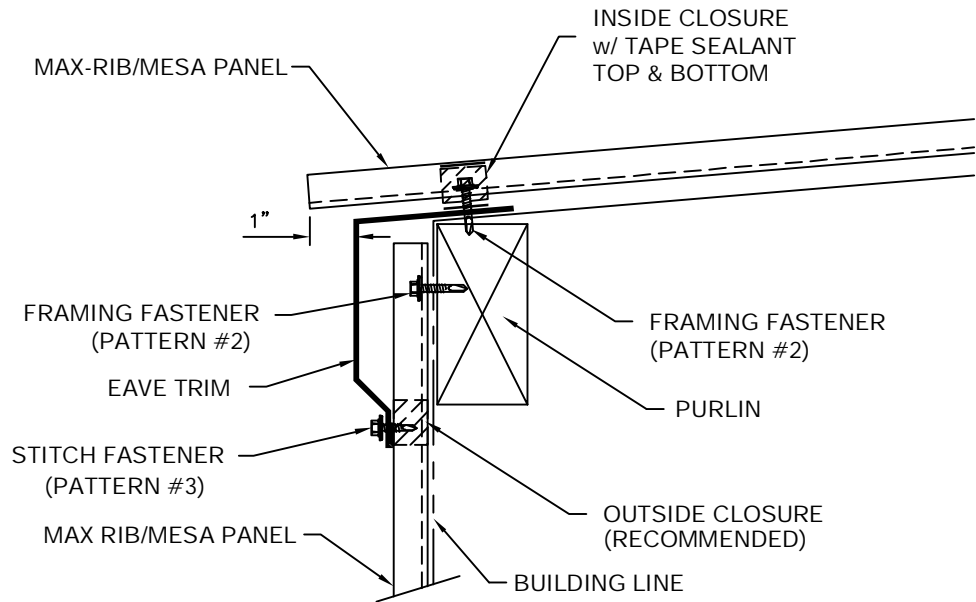
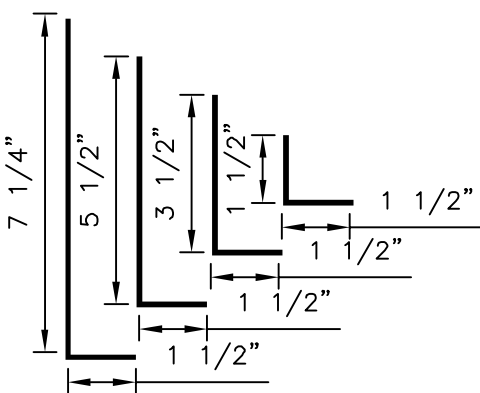
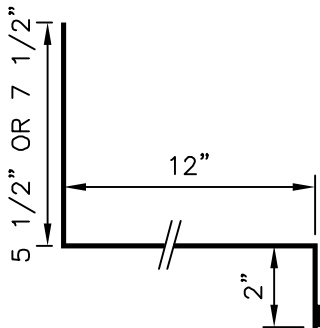
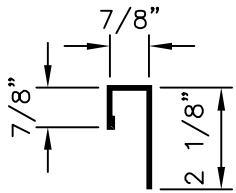
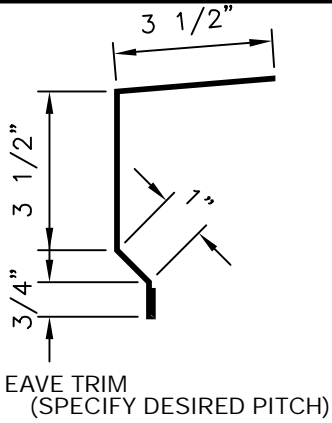
ANGLE TRIM (P-A)



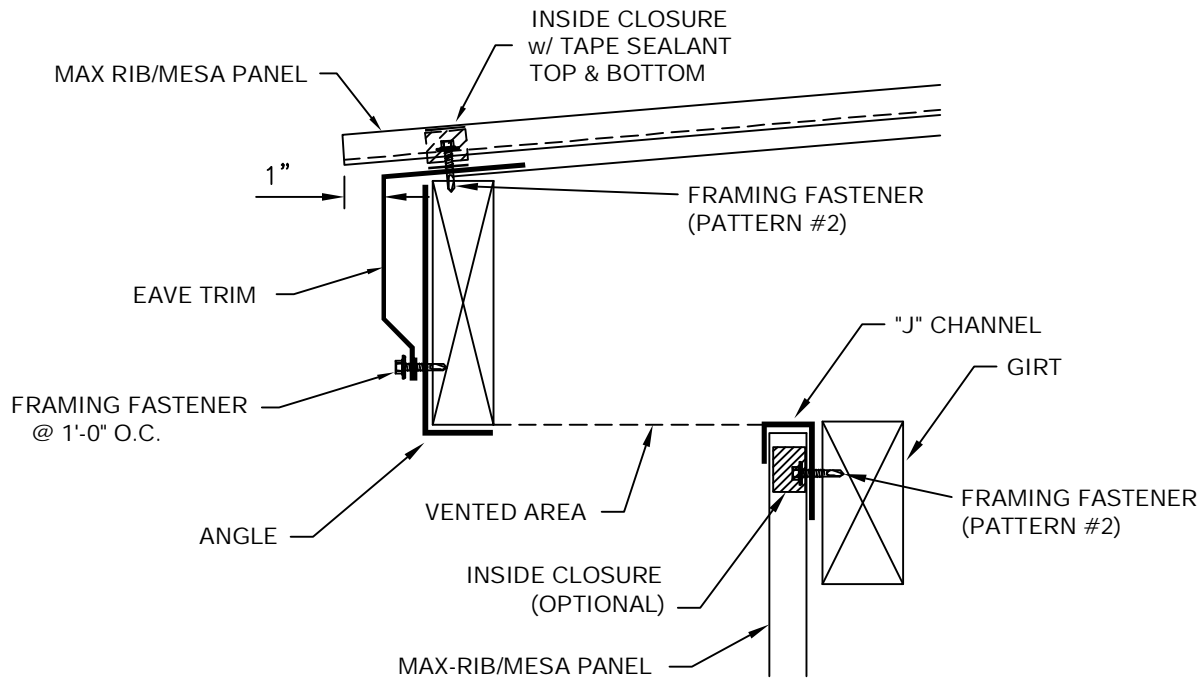
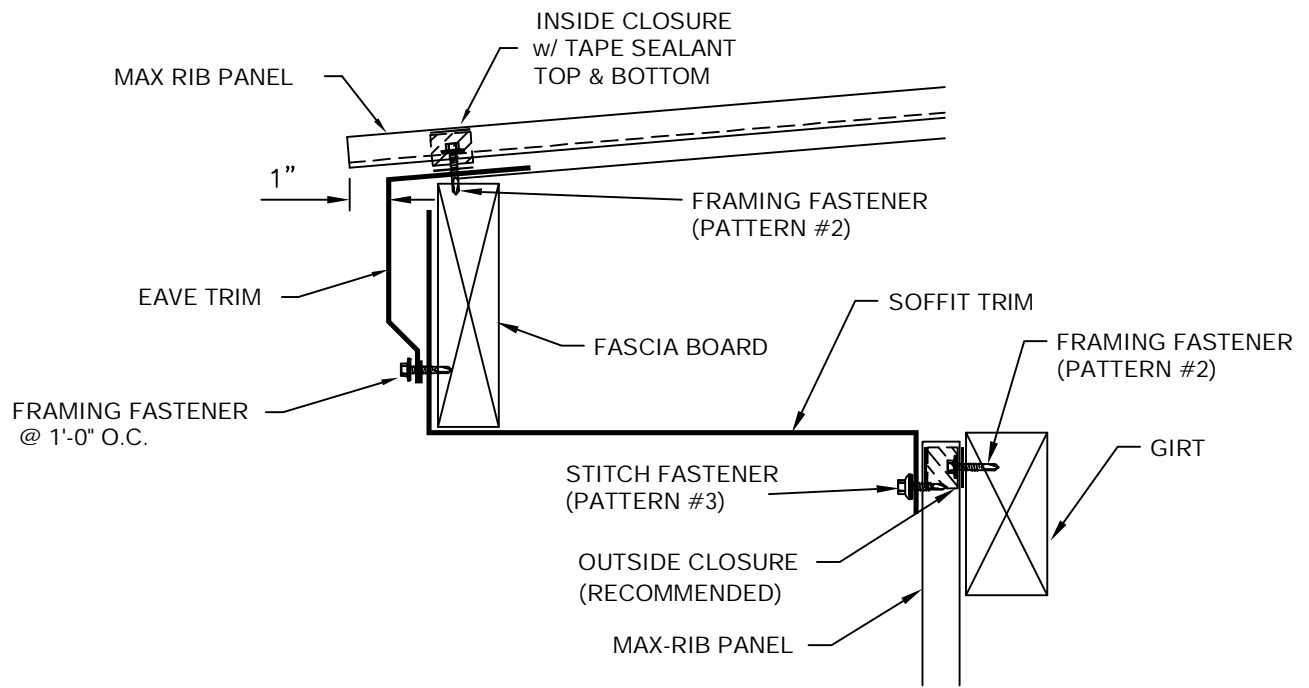
OVERHEAD DOOR FLASHING (P-JFB)



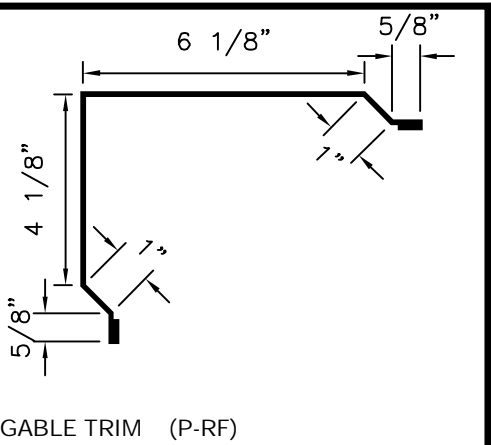
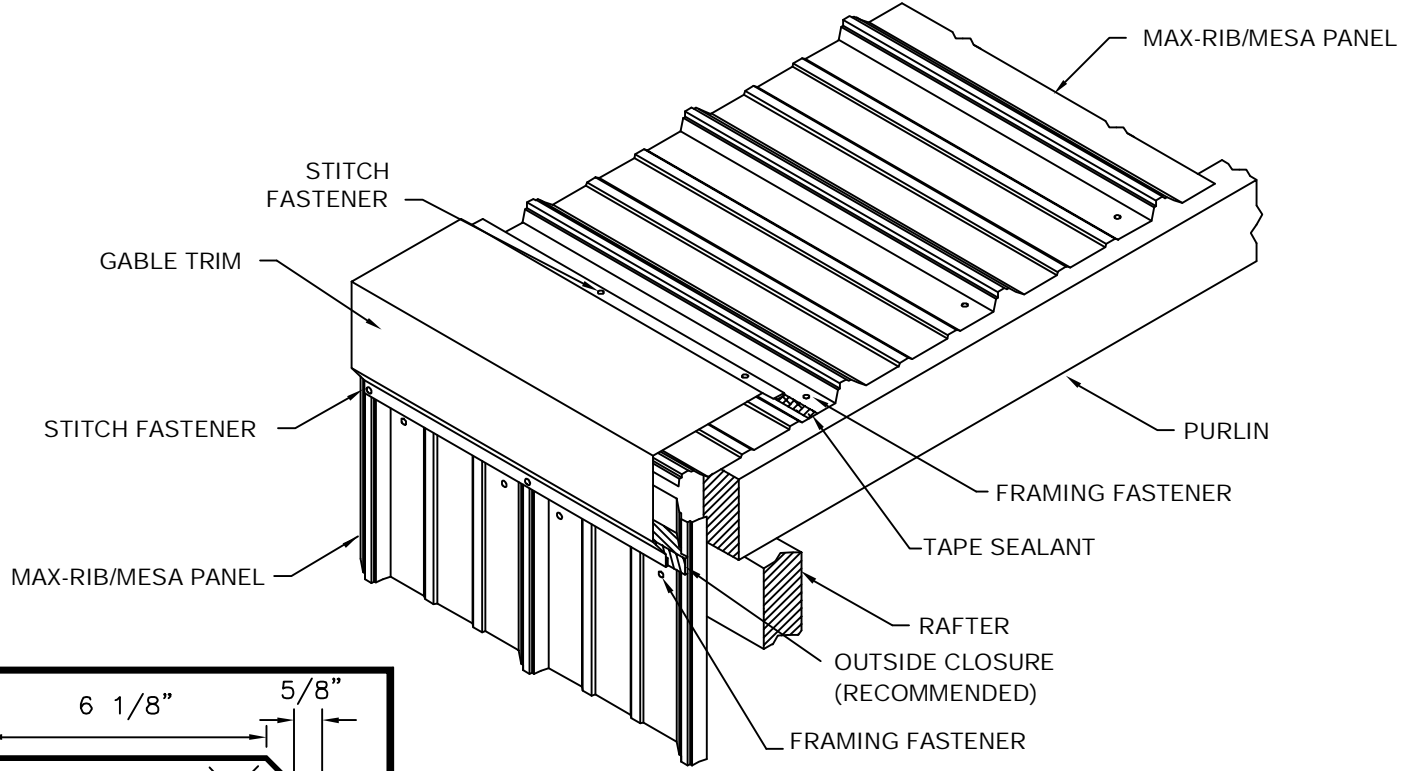
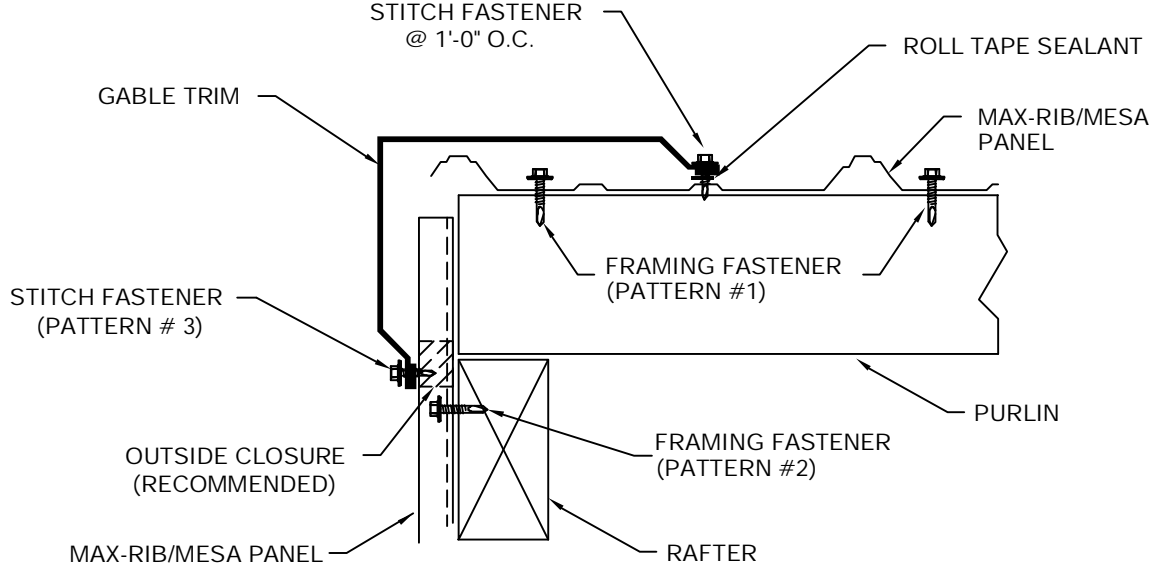
EAVE DETAIL



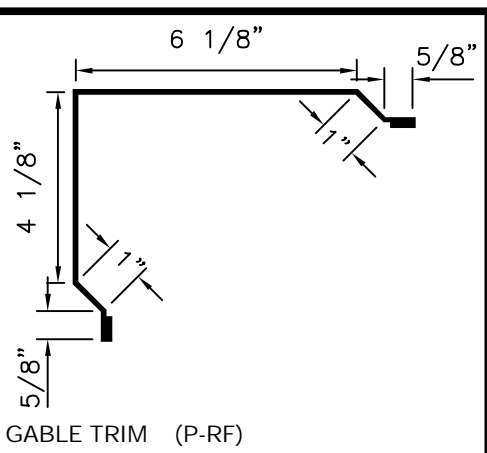
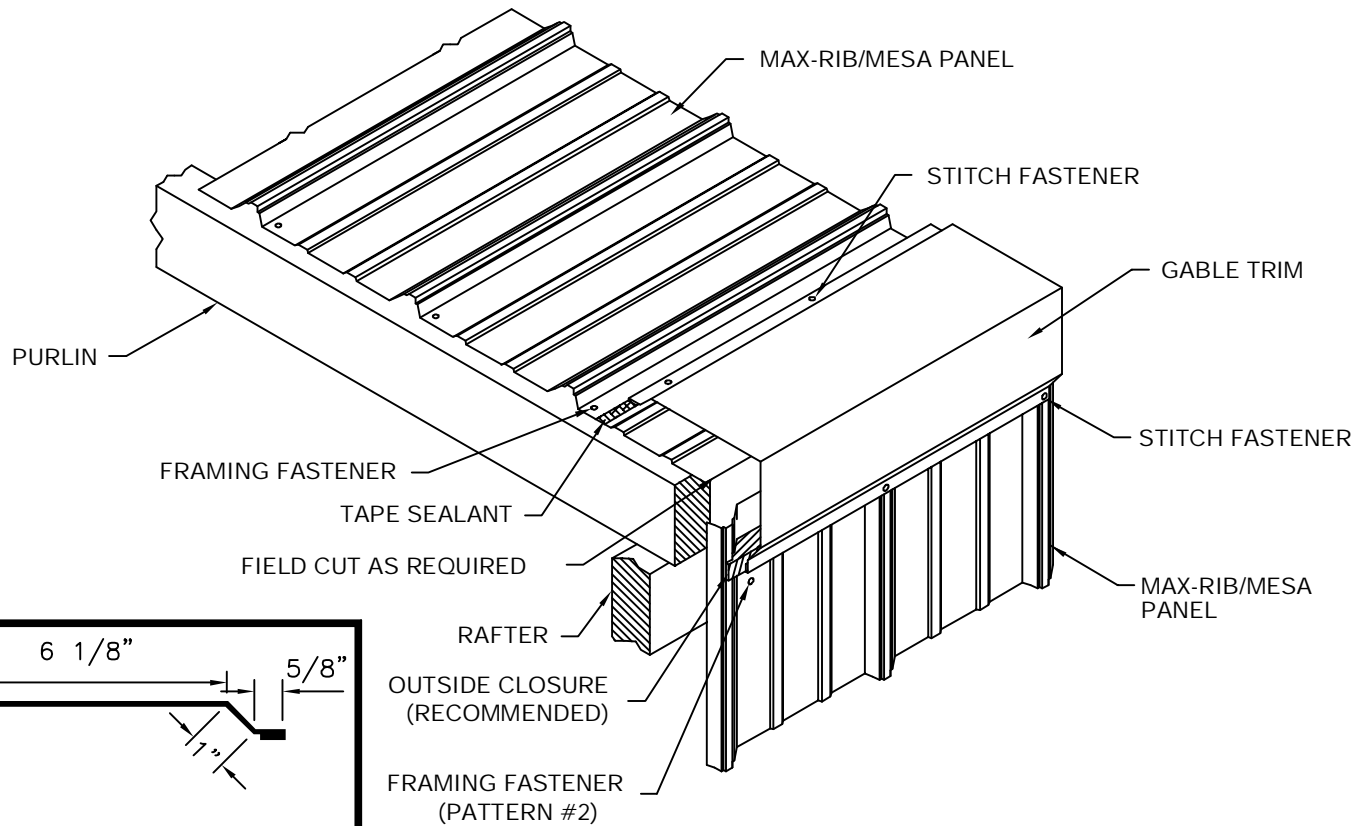
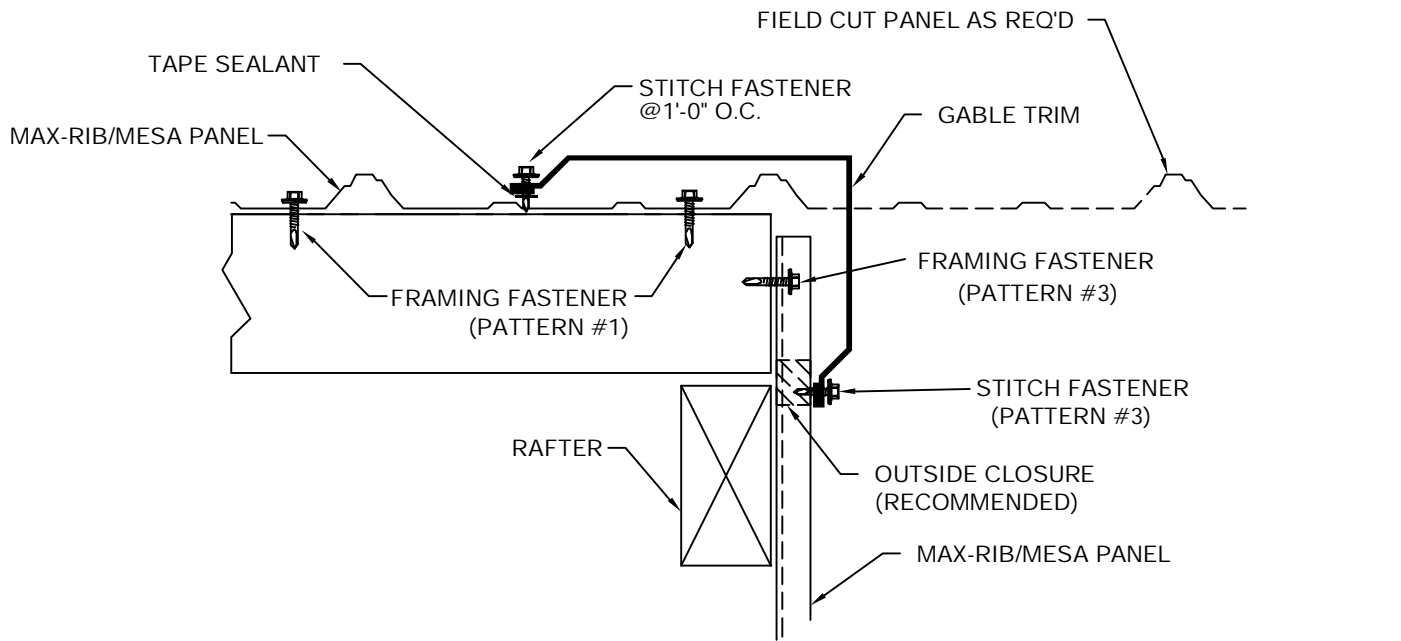
SOFFIT AND VENTED EAVE DETAIL



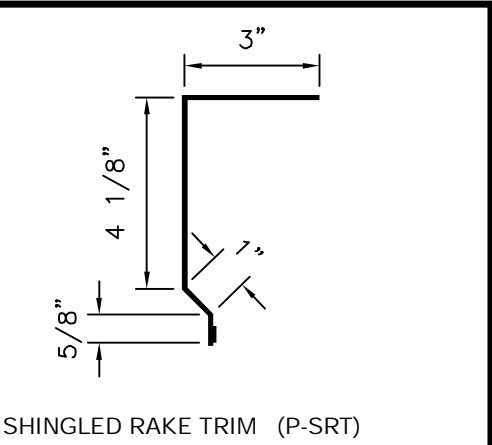
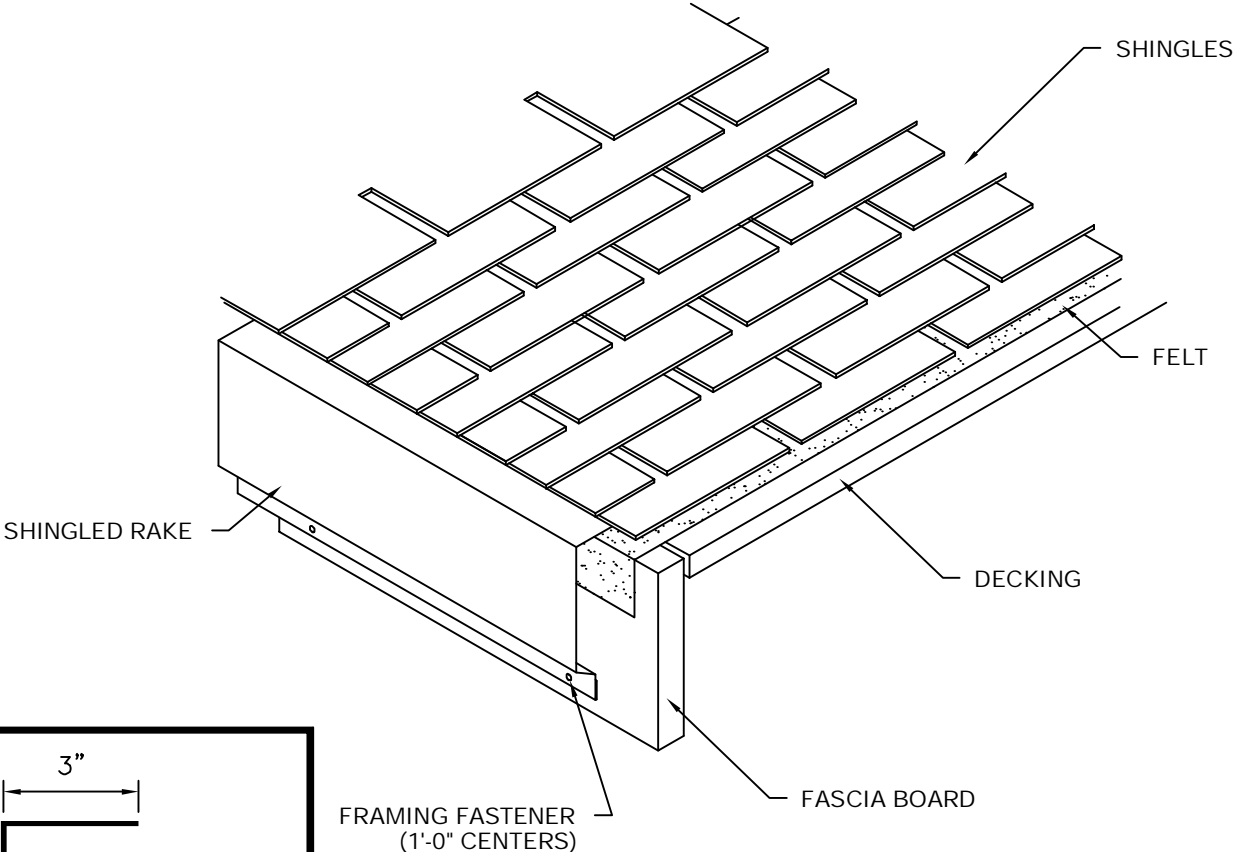
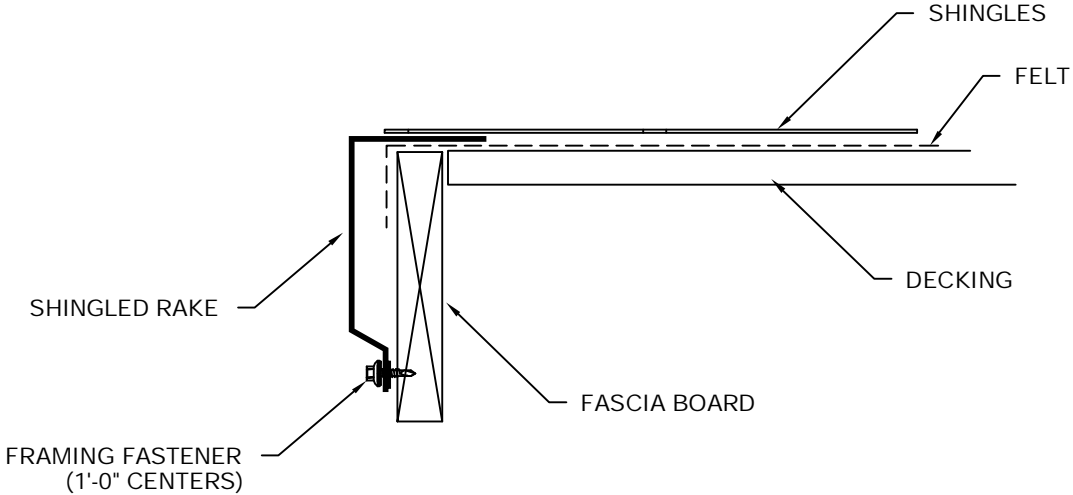
GABLE / RAKE START DETAIL



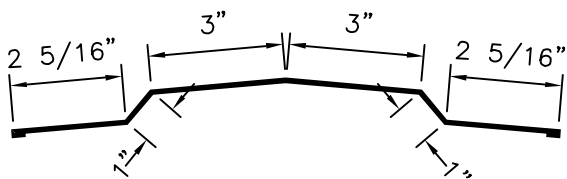
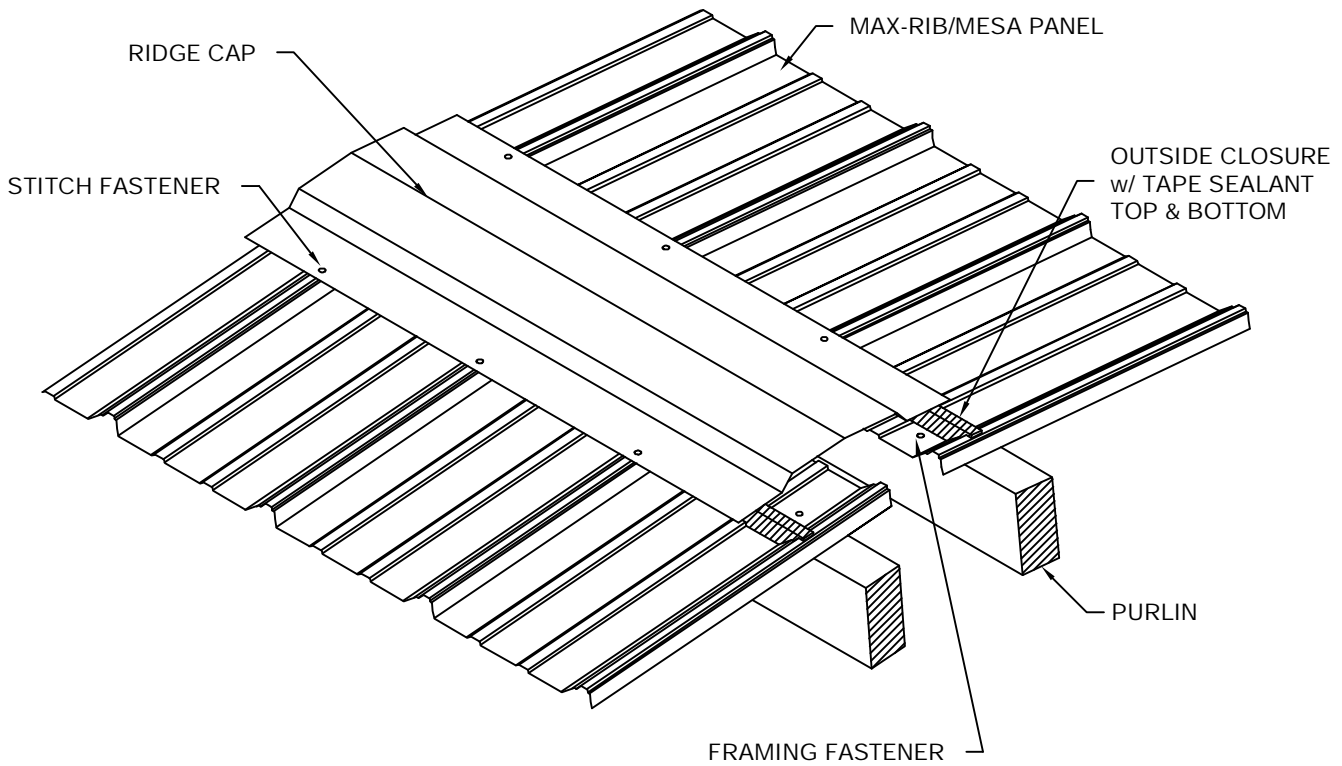
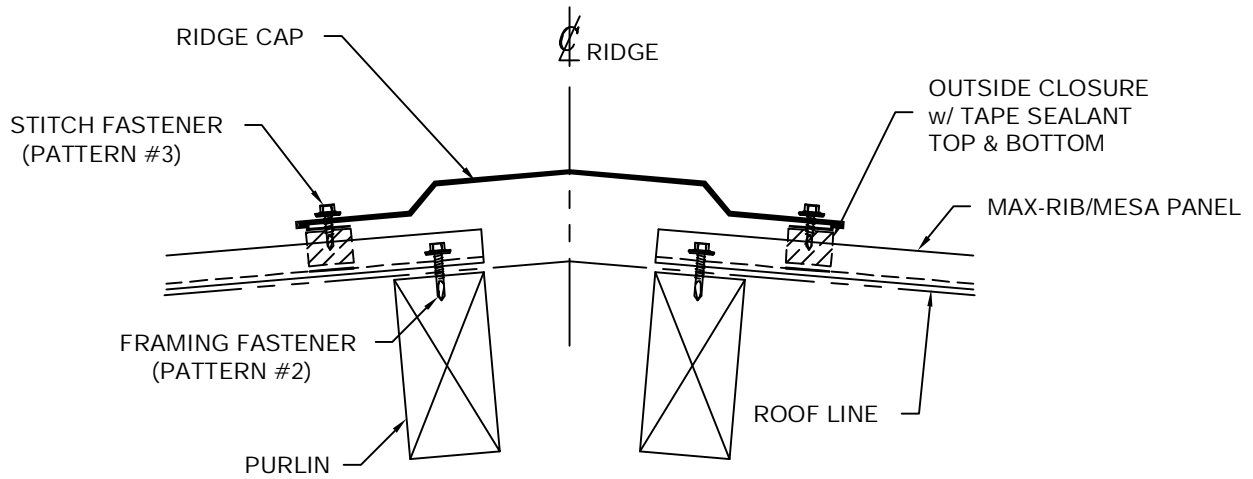
GABLE / RAKE END DETAIL



SHINGLED RAKE DETAIL

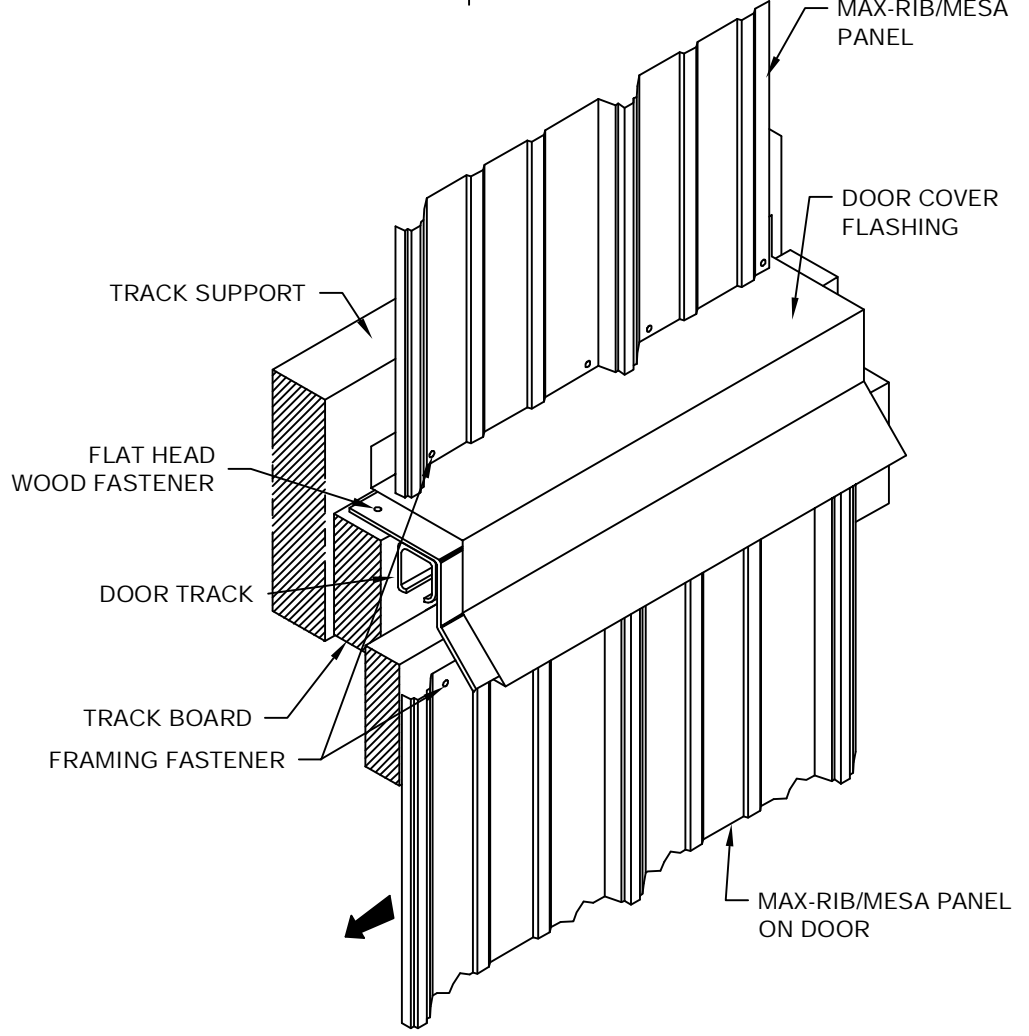
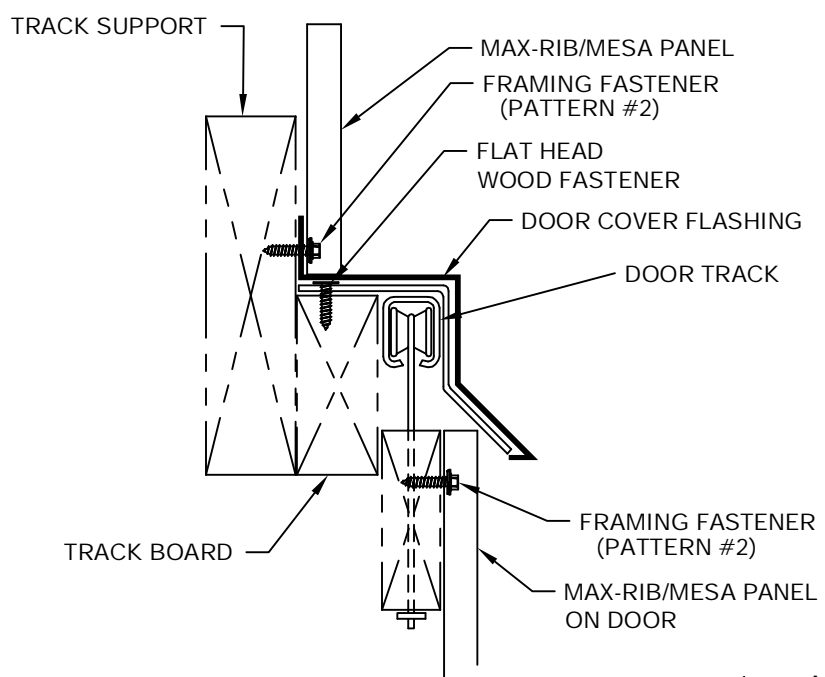
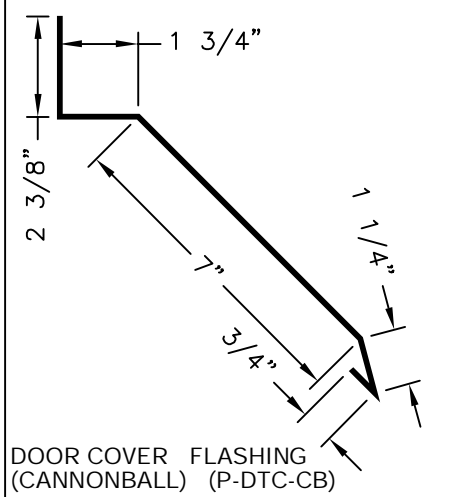
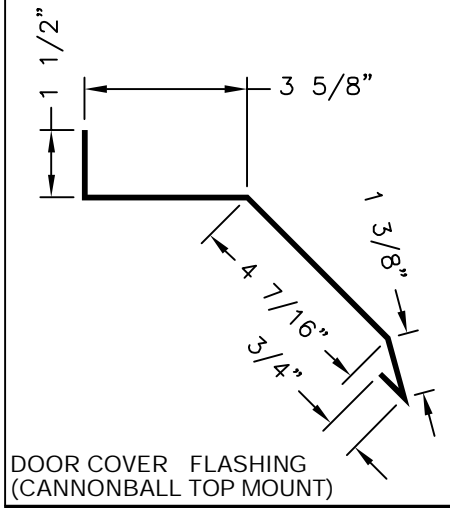
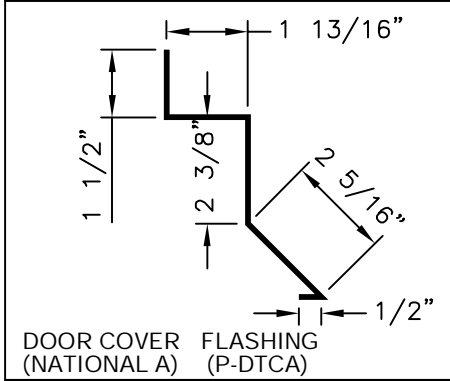
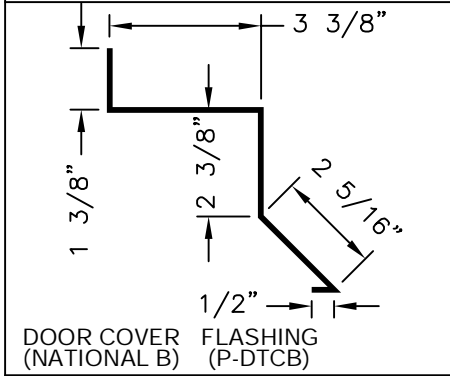


RIDGE DETAIL

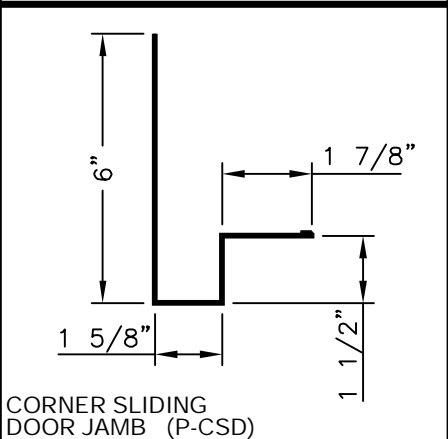
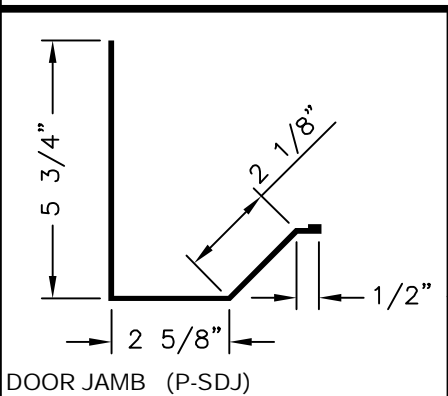
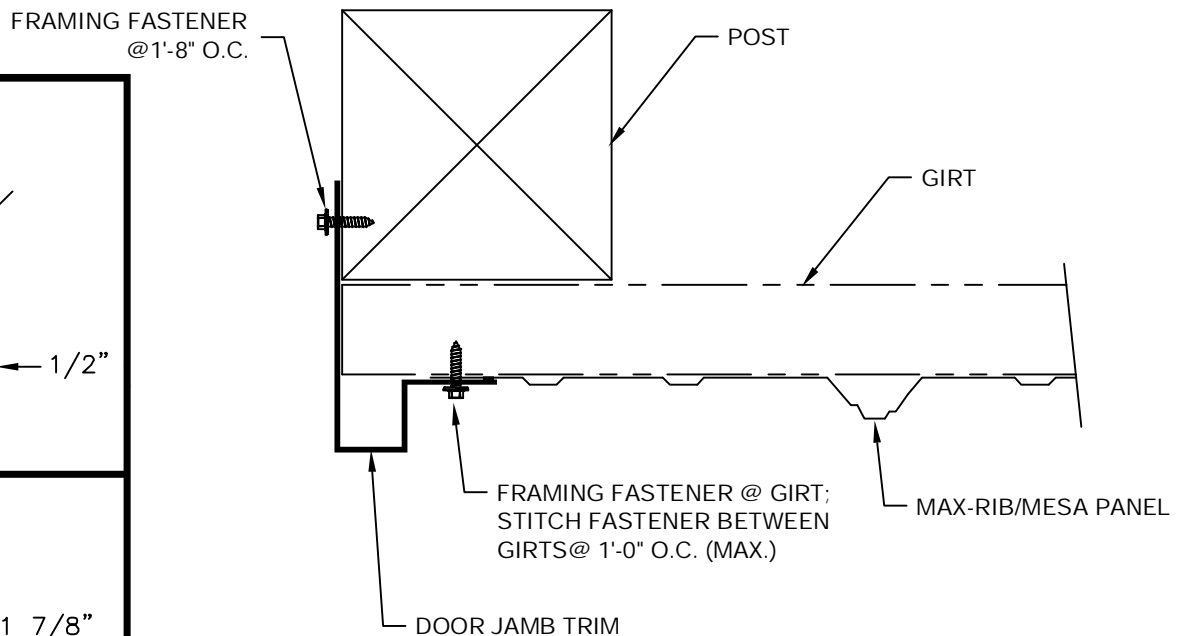
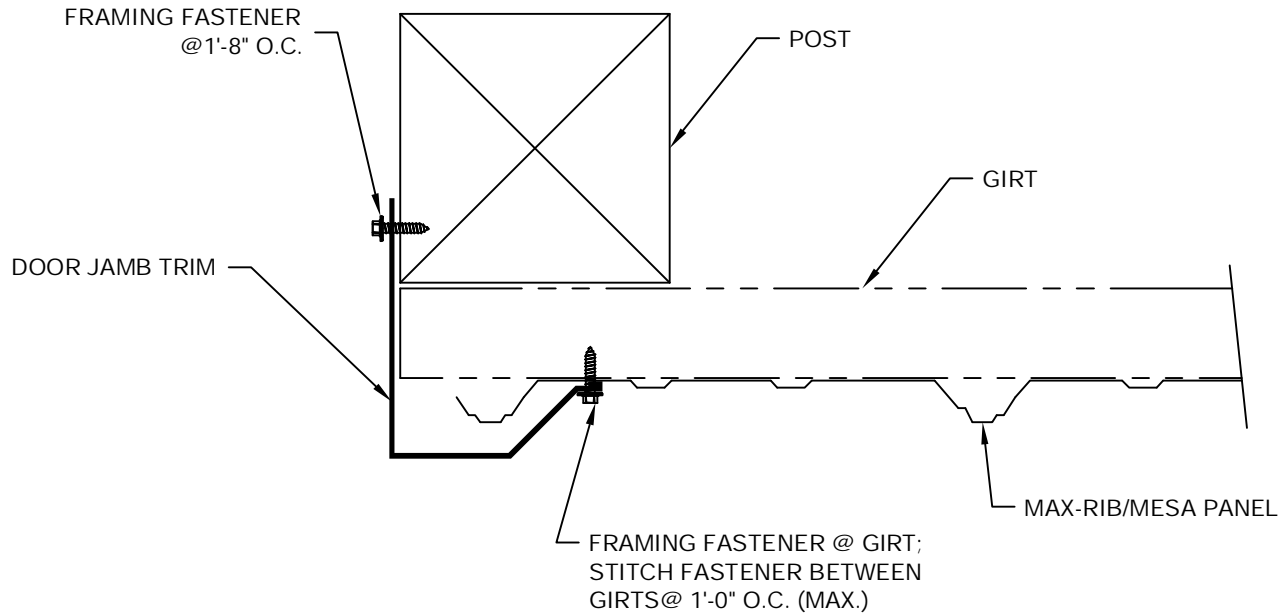


RIDGE CAP

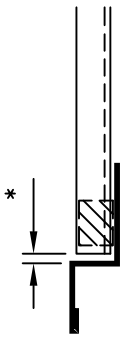
SLIDING DOOR DETAIL



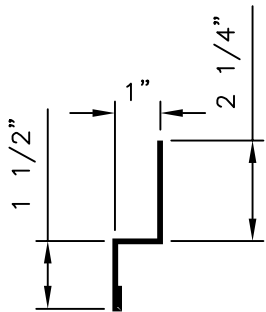
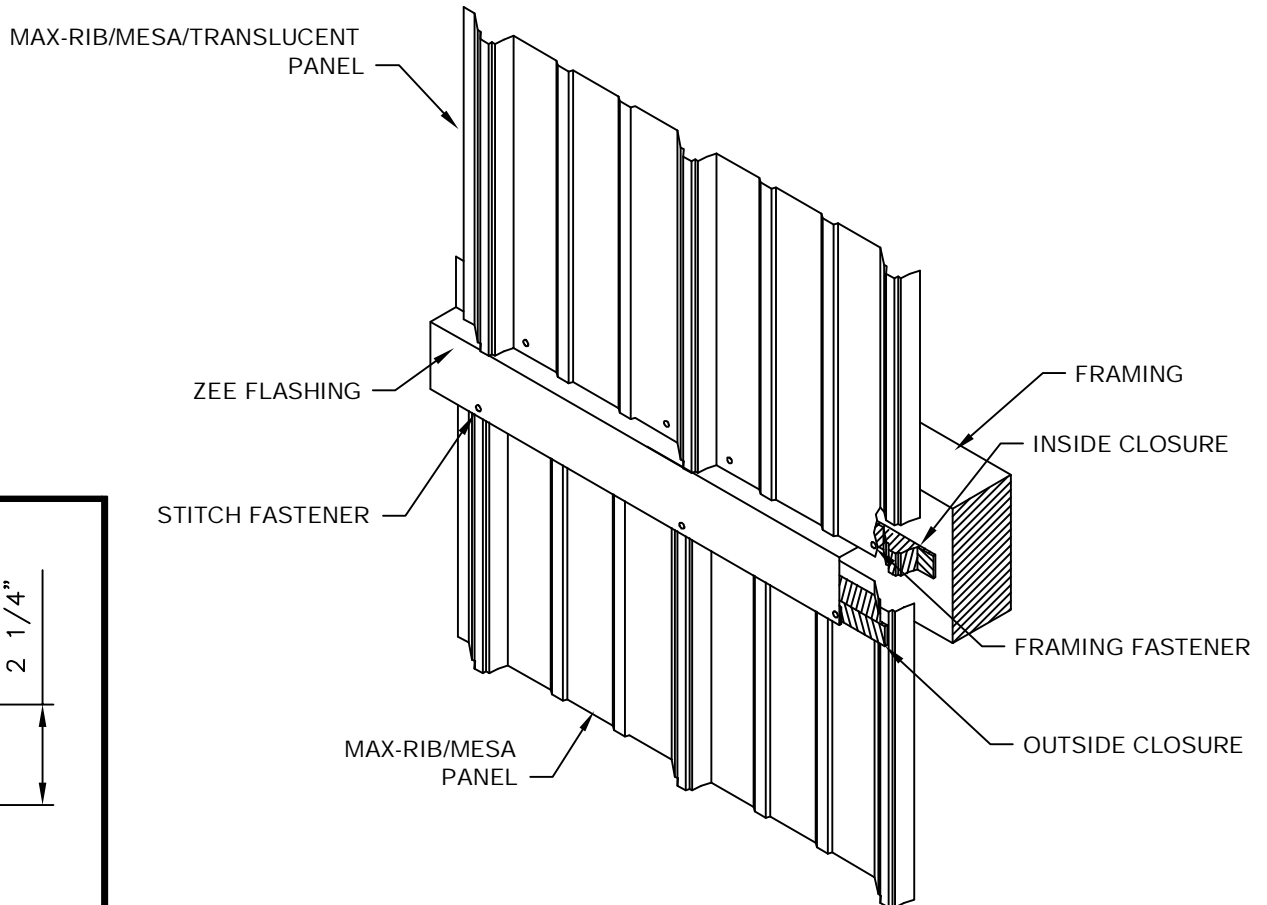
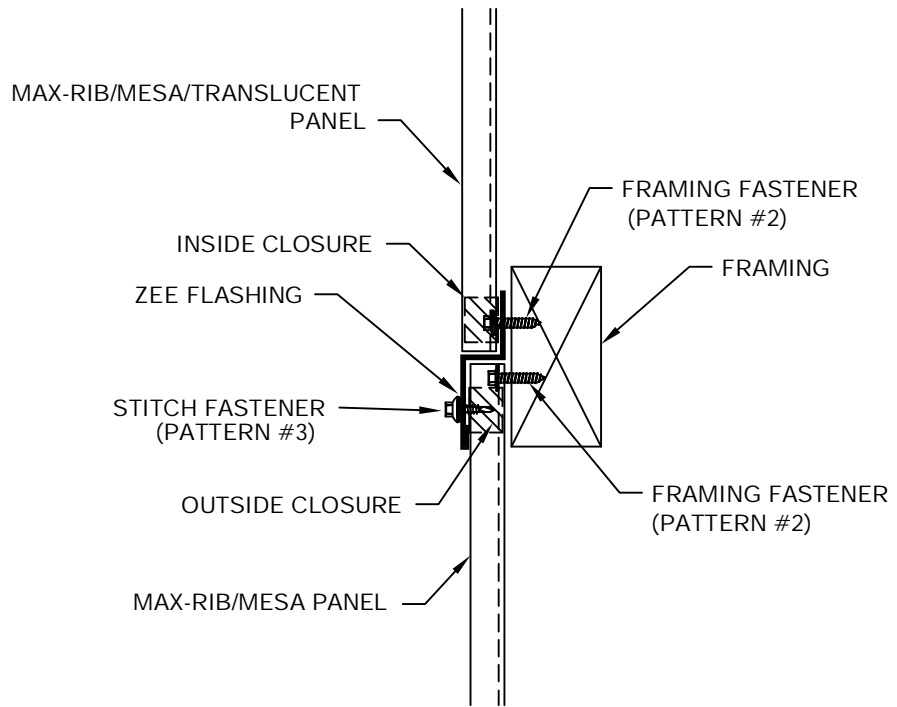
SLIDING DOOR JAMB DETAIL



GABLE END / ZEE FLASHING DETAIL

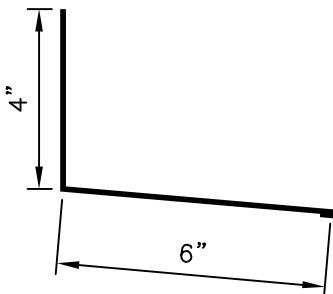
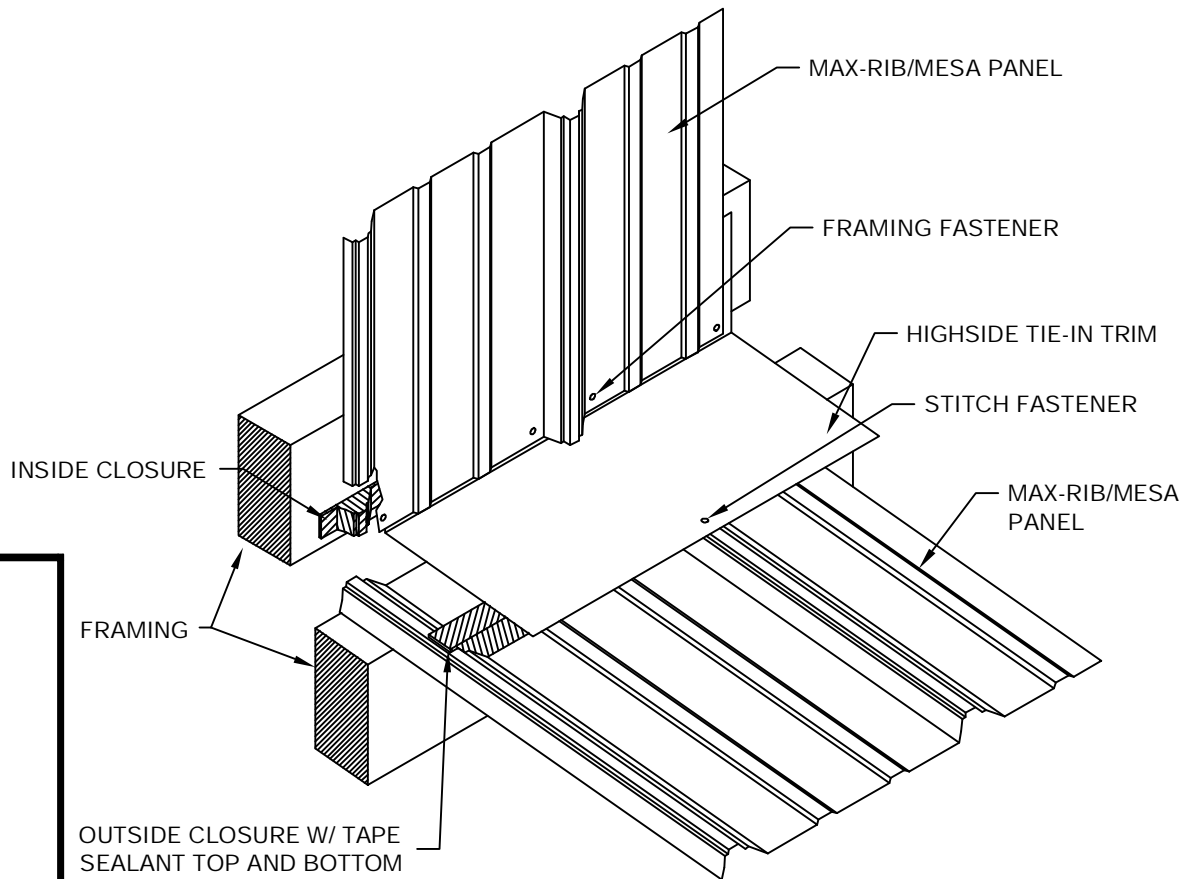
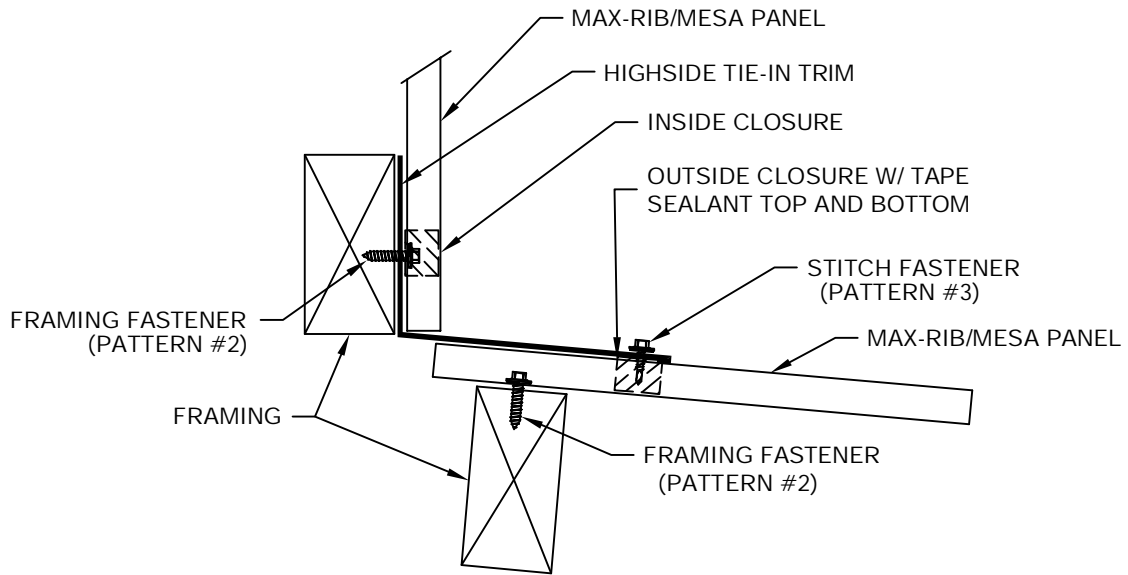


* 1/8" MIN. CLEARANCE BETWEEN PANEL AND ZEE FLASHING.



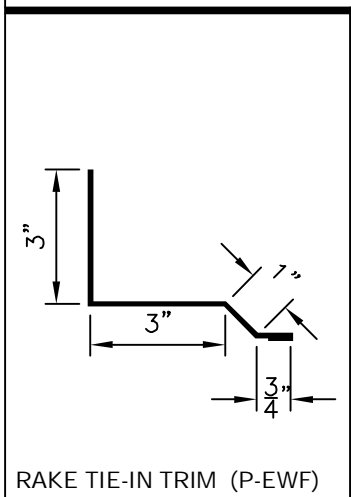
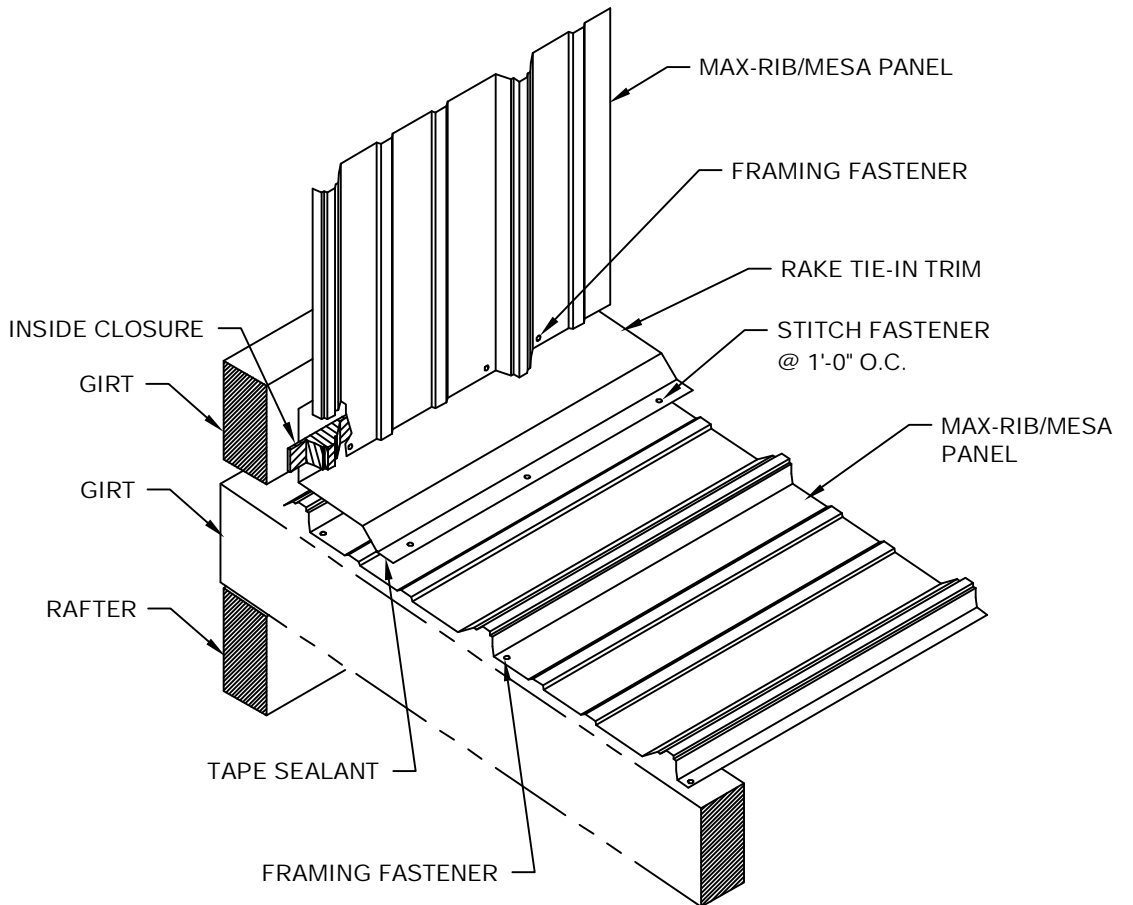
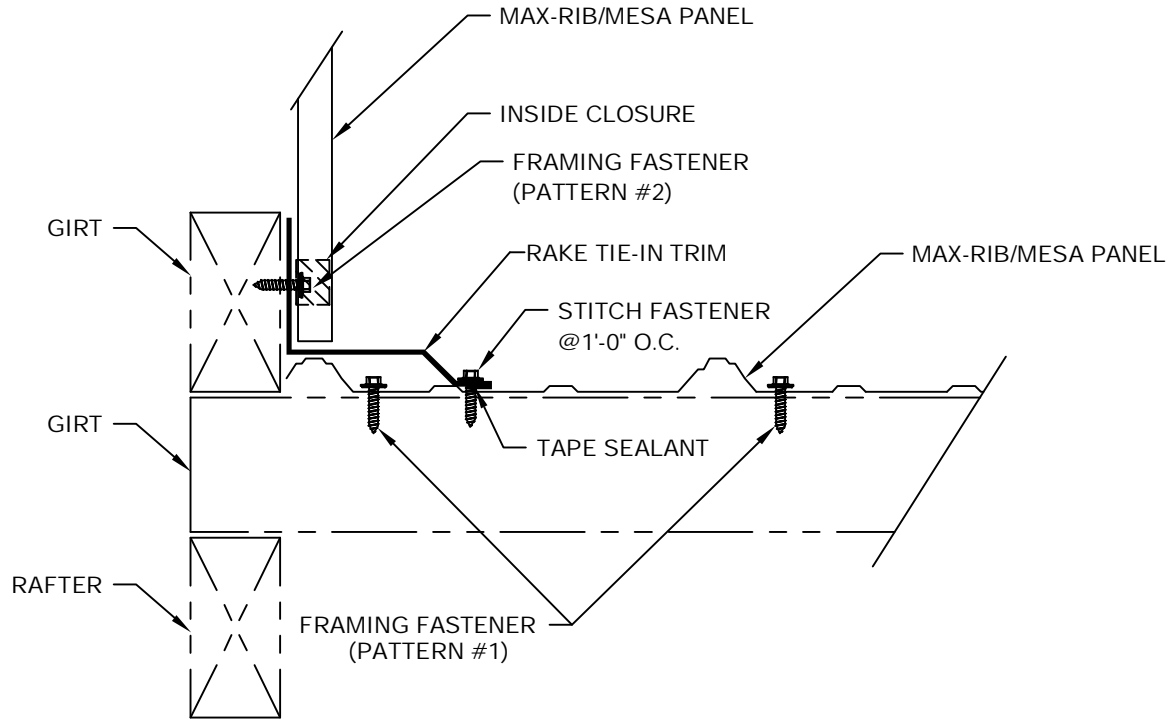
ZEE FLASHING (P-ZF)

HIGHSIDE TIE-IN DETAIL

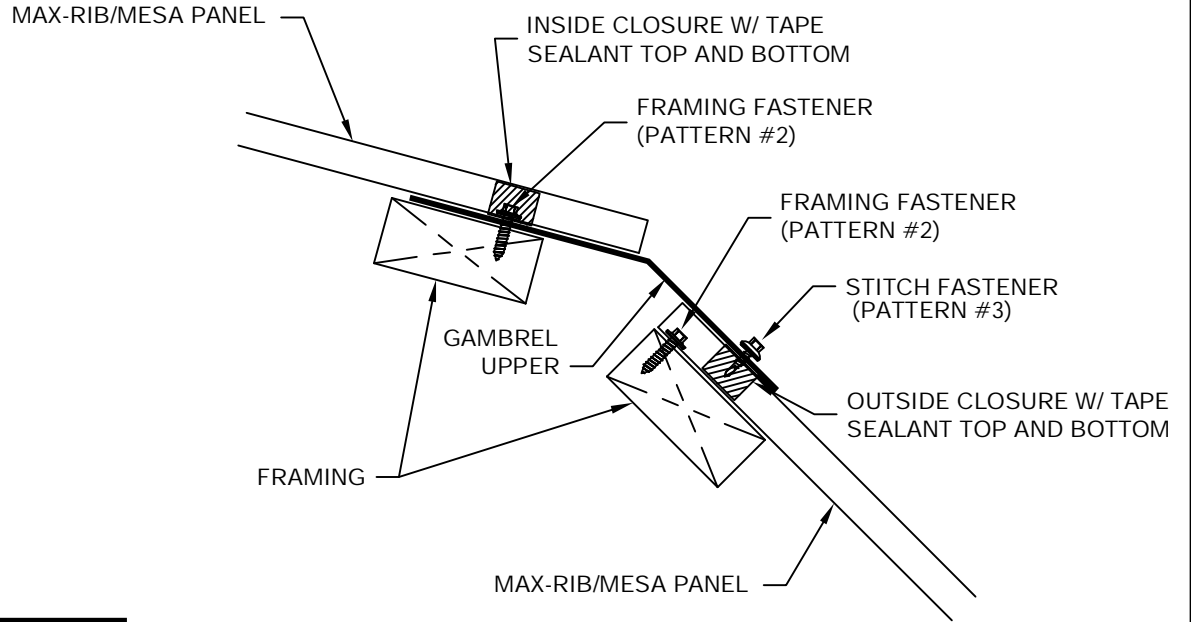


HIGHSIDE TIE-IN TRIM
(P-SWF)

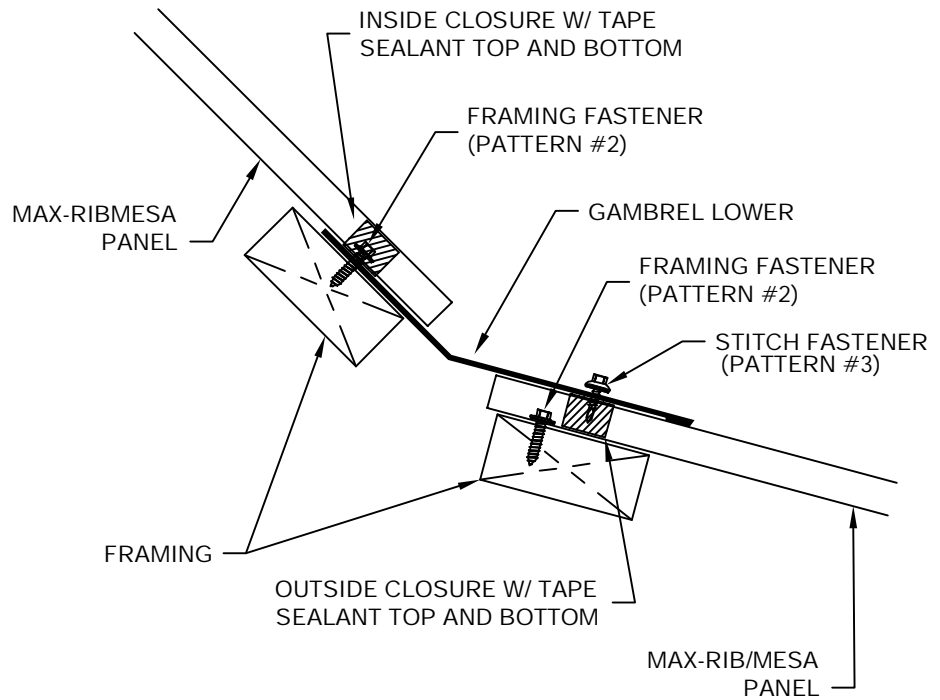
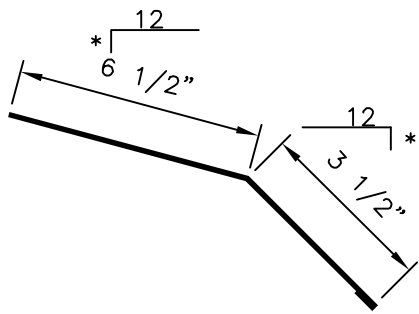
RAKE TIE-IN



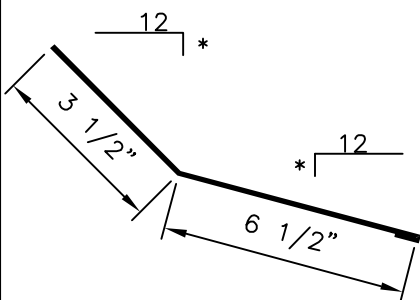
GAMBREL AND TRANSITION DETAIL



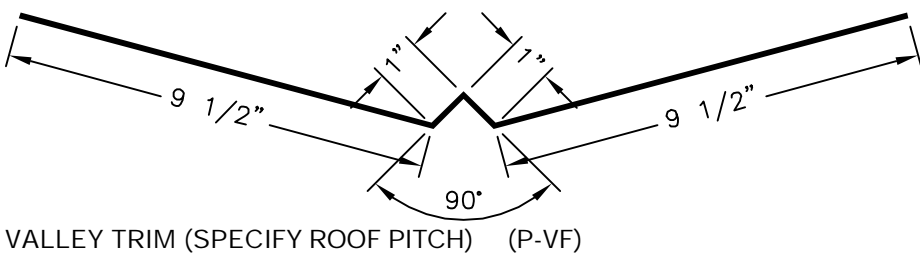
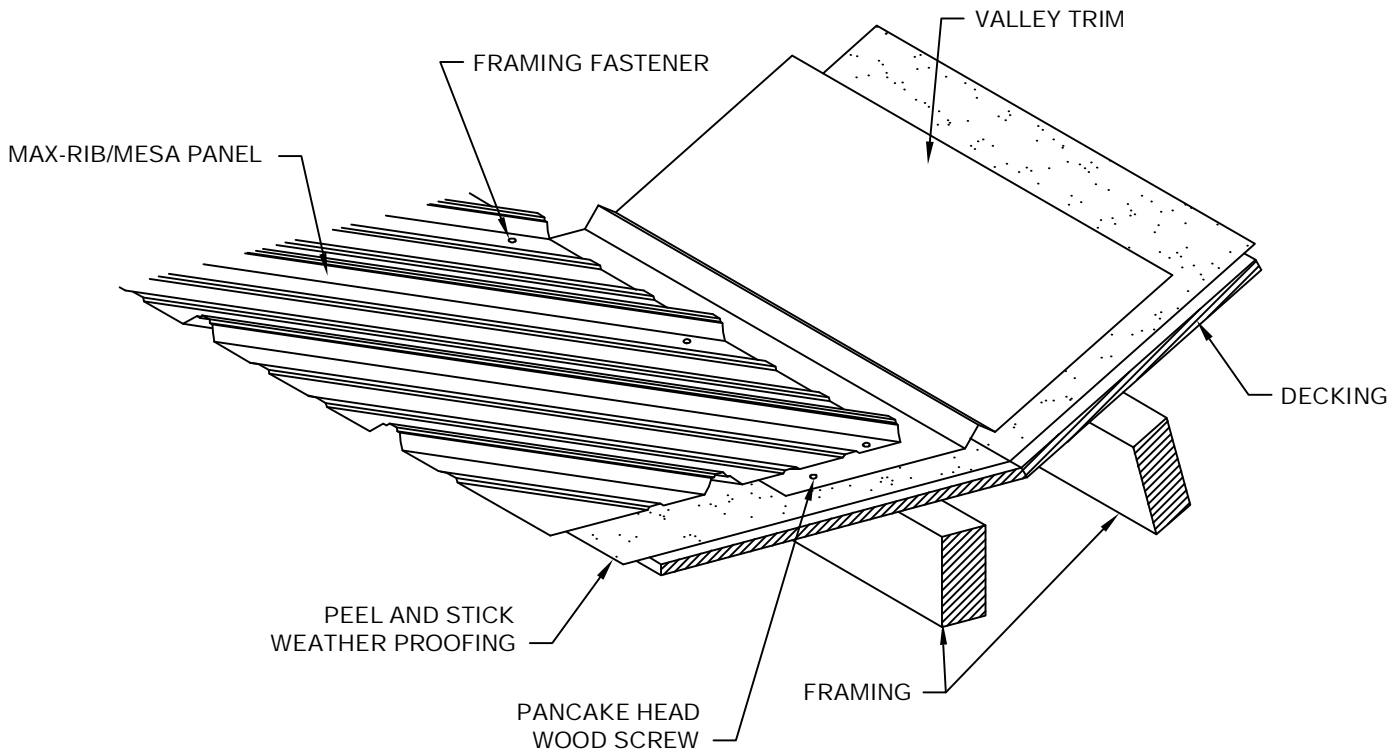
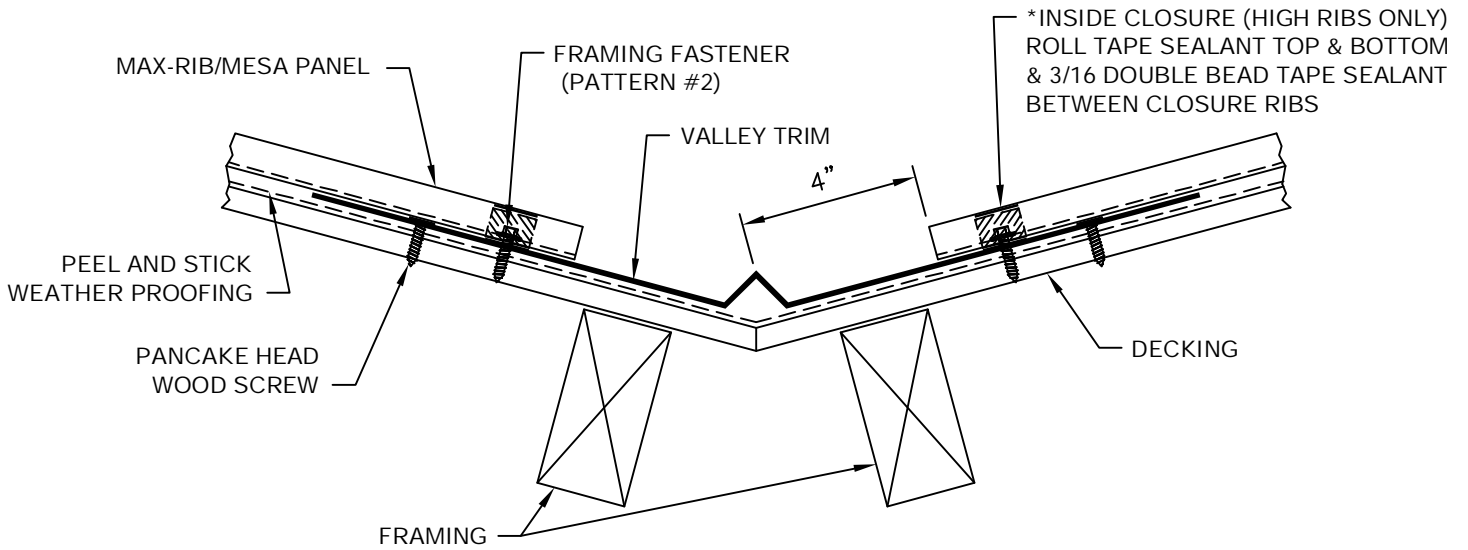
SPEC. GAMBREL UPPER



SPEC. GAMBREL LOWER



VALLEY DETAIL



*NOTE: USE HIGH RIB OF CLOSURE ONLY!
 PLACE CLOSURE SQUARE TO PANEL RUN
 WITH TAPE ON TOP AND BOTTOM. RUN 3/16"
 DOUBLE BEAD TAPE SEALANT BETWEEN
 HIGH RIBS FULL LENGTH OF VALLEY.



☆ MANUFACTURING LOCATIONS ● SERVICE CENTERS ★ MANUFACTURING AND SERVICE CENTER



For more information:
800-562-3576
www.mcelroymetal.com

CORPORATE OFFICE
 1500 HAMILTON RD. • BOSSIER CITY, LA 71111
 Ph: (800) 562-3576 • Fax: (318) 747-8029

MANUFACTURING LOCATIONS

ADELANTO, CA
HOUSTON, TX
MERKEL, TX

ASHBURN, GA
LEWISPORT, KY
PEACHTREE CITY, GA

BOSSIER CITY, LA
MARSHALL, MI
SUNNYVALE, TX

CLINTON, IL
MAUSTON, WI
WINCHESTER, VA

MCELROY METAL
SERVICE
CENTER

5215 Leo St.
Alexandria, LA 71301

1500 Hamilton Rd.
Bossier City, LA 71111

3052 Yadkin
Chesapeake, VA 23323

10460 Revere Rd.
Clinton, IL 61727

3215 Highway 59
Diamond, MO 64840

390 N. Valley Dell Dr.
Fenton, MO 63026

409 Lovejoy Road
Ft. Walton Beach, FL 32548

3014 Lincoln Court
Garland, TX 75041

11625 N. Houston Rosslyn Rd.
Houston, TX 77086

10504 E. 59th Street
Indianapolis, IN 46236

9435 U.S. Hwy 60 W.
Lewisport, KY 42351

5123 Terminal Dr.
McFarland, WI 53558

514 Cave Road
Nashville, TN 37210

8304 Hwy. 70 E.
North Little Rock, AR 72117

613 North Bierdeman Rd.
Pearl, MS 39208

5300 83rd Street
Sacramento, CA 95826

1365 Dean Forest Rd.
Savannah, GA 31405

7355 Oakley Industrial Blvd.
Union City, GA 30291

1144 Silstar Rd.
West Columbia, SC 29170

30000 US Hwy. 69
Winston, MO 64689

Website: www.mcelroymetal.com • E-mail: info@mcelroymetal.com