

# MERIDIAN TRIM INDEX

NOTE:

(AR) means Architectural Application and trims will have Open Hems.

(EF) means Exposed Fastener Application and trims will have Closed Hems.

(RC) means Residential Concealed Fasteners Application and trims will have Open Hems.

(RE) means Residential Exposed Fastener Application and trims will have Closed Hems.

Please let your customers know when ordering trims so they select the correct trims for their projects.

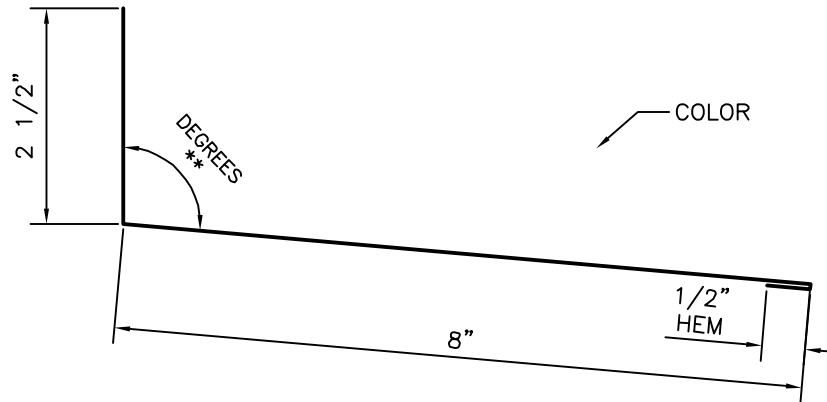
<u>DWG #:</u>	<u>DESCRIPTION:</u>	<u>IMAGE #:</u>
MRTW-0001	High-Side Tie-In Trim (AR / RC)	14
MRTW-0002	Gutter	118
MRTW-0003	Rake Tie-In Trim (AR / RC)	57
MRTW-0004	Gutter End Cap	121
MRTW-0005	Gutter Strap	123
MRTW-0006	Valley Trim (AR / RC)	28
MRTW-0007	Rake Trim (AR / RC)	47
MRTW-0008	Perimeter Cleat (AR / RC)	138
MRTW-0009	Eave Trim (AR / RC)	23
MRTW-0010	Ridge Trim (AR / RC)	71
MRTW-0011	High Side Eave Trim (AR / RC)	7
MRTW-0012	Rake Trim (EF / RE)	52
MRTW-0013	Zee Closure	130
MRTW-0014	Hip Trim	69
MRTW-0015	High Side Eave Trim (EF / RE)	9
MRTW-0016	Valley Trim (EF / RE)	29
MRTW-0017	Eave Trim (EF / RE)	22
MRTW-0018	Ridge Trim (EF/ RE)	72
MRTW-0019	Offset Cleat (AR / RC)	143
MRTW-0020	Eave Drip/Rake Trim (AR / RC)	350
MRTW-0021	High-Side Tie-In Trim (EF / RE)	14
MRTW-0022	Rake Tie-In Trim (EF / RE)	65
MRTW-0023	Eave Drip/Rake Trim (AR / RC)	26
MRTW-0024	Vented Zee Closure	455
MRTW-0025	8" Stepped Ridge (AR / RC)	1670
MRTW-0026	M 1.5" Eave Drip (AR / RC)	1512
MRTW-0027	M 2.75" Rake Trim (AR / RC)	1344
MRTW-0028	Fixed Rake Cleat (AR / RC)	1509

# MERIDIAN TRIM INDEX (CONT.)

<u>DWG #:</u>	<u>DESCRIPTION:</u>	<u>IMAGE #:</u>
MRTW-0029	Modified "J" (AR / RC)	1490
MRTW-0030	Pitch Break (AR / RC)	1346
MRTW-0031	Reglet Trim (AR / RC)	1348
MRTW-0032	Flat Hip Trim (AR / RC)	2100
MRTW-0033	Flat Ridge Trim (AR / RC)	2101
MRTW-0034	Endwall Trim (AR / RC)	2102
MRTW-0035	Sidewall Trim (AR / RC)	2103
MRTW-0036	Step Rake Tie-In/Sidewall Trim (EF / RE)	2104
MRTW-0037	Denver Eave Trim (EF / RE)	1341
MRTW-0038	Denver Rake Trim (EF / RE)	1342
MRTW-0039	M 2.75" Peak Trim (AR / RC)	3123



12  
\*PITCH



\* USE 3:12  
UNLESS NOTED

*PITCH	**DEGREES
1:12	95°
2:12	99°
3:12	104°
4:12	108°
5:12	113°
6:12	117°
7:12	120°
8:12	124°
9:12	127°
10:12	130°
11:12	133°
12:12	135°

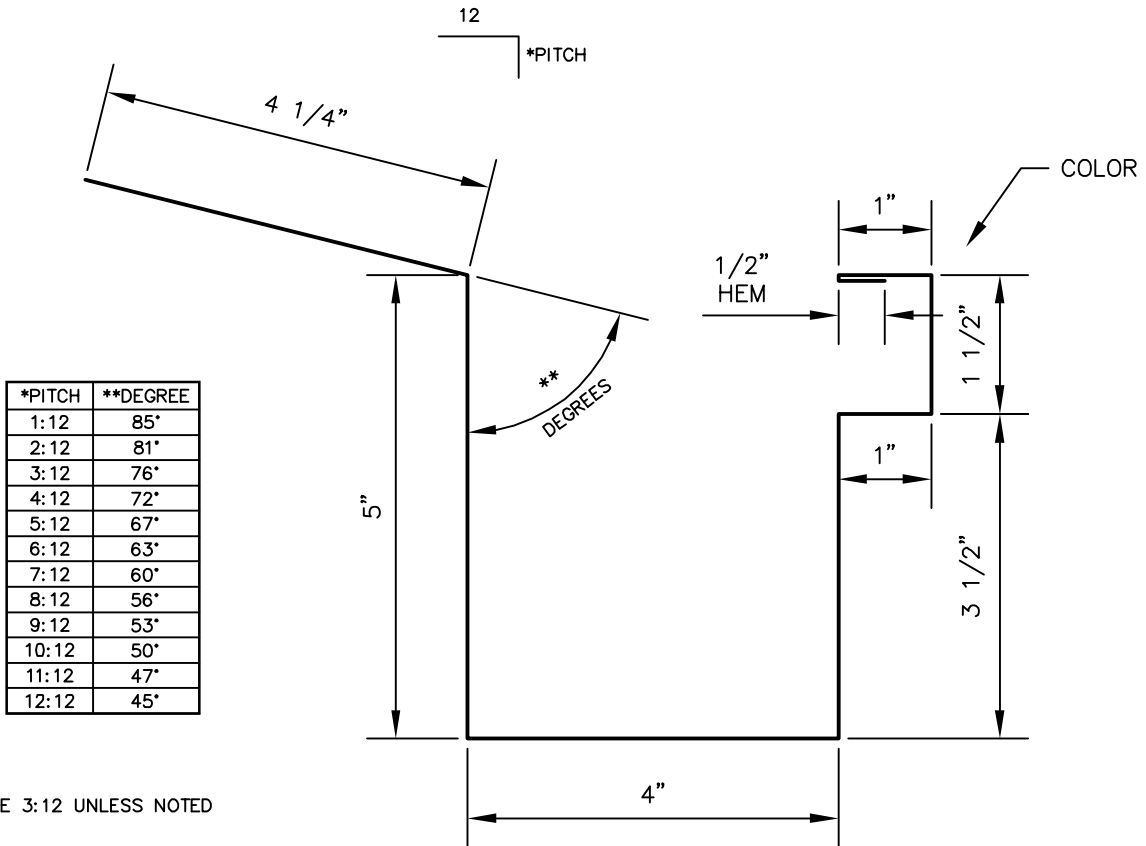
## HIGH-SIDE TIE-IN TRIM

(ARCHITECTURAL / RESIDENTIAL CONCEALED)

PANEL PROFILES	GAUGE
MERIDIAN (AR/RC)	24 or 26
MAX-RIB	26
MESA	26

7-07-20 rev.  
11-04-14 rev.  
7-08-13 rev.  
4-29-11

GIRTH: 11"  
BENDS: AS SPECIFIED



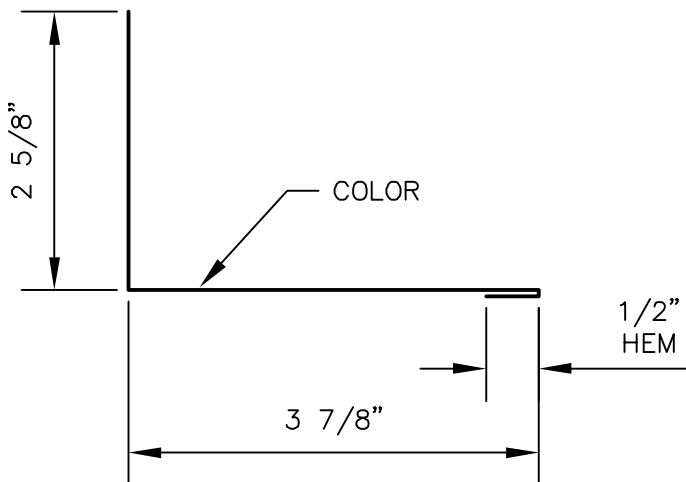
\* USE 3:12 UNLESS NOTED

## GUTTER

PANEL PROFILES	GAUGE
MERIDIAN	24 or 26
MAX-RIB	26
MESA	26
MULTI-COR	26
M-COR	26

11-04-14 rev.  
 7-08-13 rev.  
 9-27-11 rev.  
 3-22-99

GIRTH: 20 3/4"  
 BENDS: 90° AND AS SPECIFIED



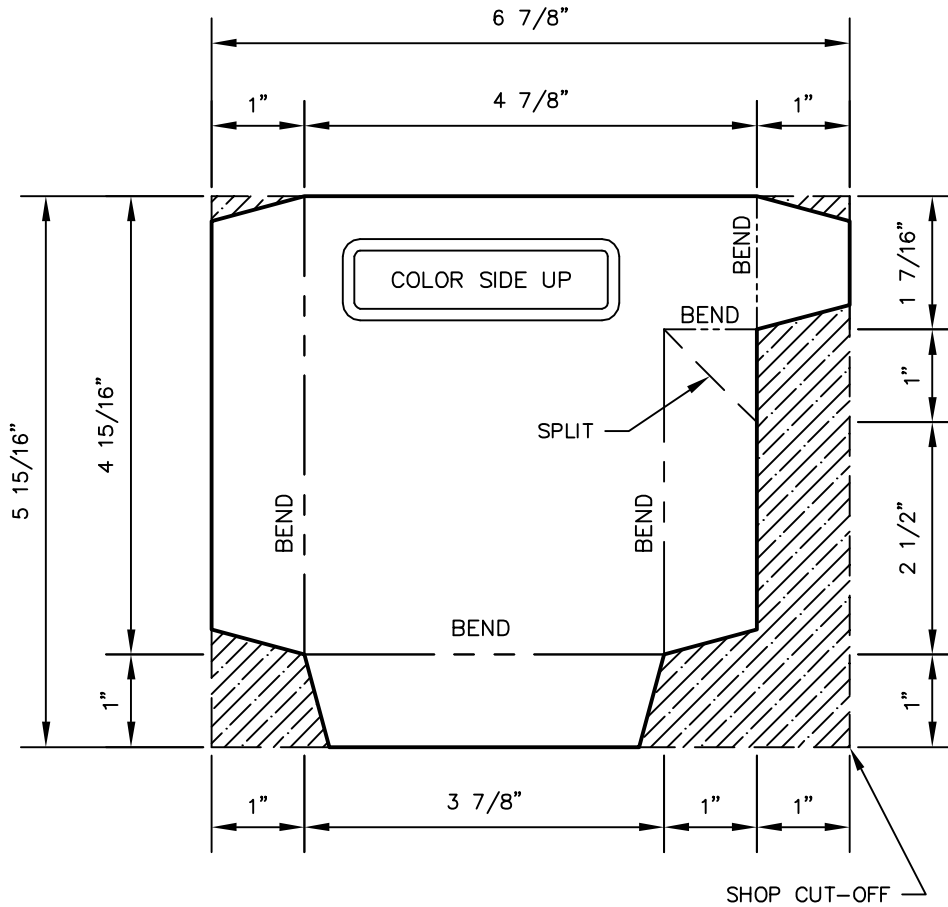
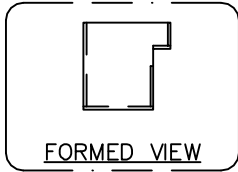
### RAKE TIE-IN TRIM

(ARCHITECTURAL / RESIDENTIAL CONCEALED)

PANEL PROFILES	GAUGE
MERIDIAN (AR/RC)	24 or 26
MULTI-COR	26
M-COR	26

7-07-20 rev.  
 11-04-14 rev.  
 7-08-13 rev.  
 6-20-11

GIRTH: 7"  
 BENDS: 90° AND AS SPECIFIED



### GUTTER END CAP

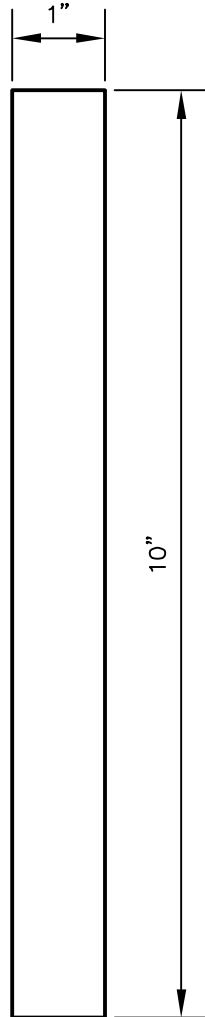
(LEFT HAND SHOWN)

(RIGHT HAND OPP.)

PANEL PROFILES	GAUGE
MERIDIAN	24 or 26
MAXIMA 1.5"	24 or 26
MAXIMA 2"	24 or 26
MAXIMA 3"	24 or 26
MAXIMA ADV	24 or 26
MEDALLION I	24 or 26
MEDALLION II	24 or 26
MEDALLION-LOK	24 or 26
MAX-RIB	26
MESA	26

11-04-14 rev.  
 8-22-13 rev.  
 9-27-11 rev.  
 3-22-99

GIRTH: 5 15/16" X 6 7/8"  
 BENDS: DOWN 90°



GUTTER STRAP

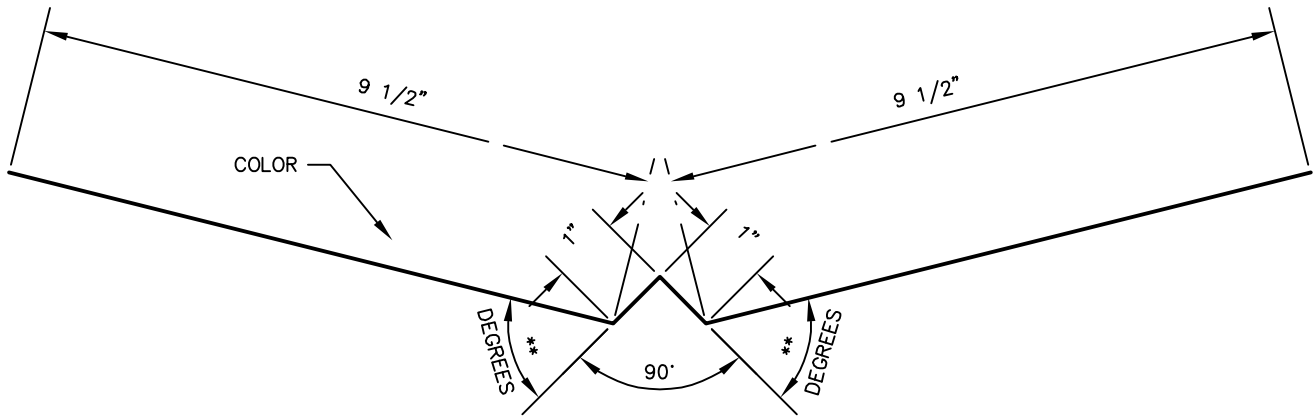
PANEL PROFILES	GAUGE
ALL PANELS	24 or 26

7-08-13 rev.  
9-27-11 rev.  
3-22-99

GIRTH: 1" X 10"  
BENDS: NONE



\*PITCH  $\frac{12}{\quad}$



PITCH	**DEGREES
1:12	48°
2:12	52°
3:12	55°
4:12	58°
5:12	61°
6:12	64°
7:12	68°
8:12	70°
9:12	73°
10:12	76°
11:12	79°
12:12	82°

\*USE 3:12 UNLESS NOTED

PANEL PROFILES	GAUGE
MERIDIAN (AR/RC)	24 or 26
MEDALLION I	24
MEDALLION II	24
MEDALLION-LOK	24
MAXIMA 1.5"	24
MAXIMA 2"	24
MAXIMA 3"	24
MAXIMA ADV	24
MAX-RIB	26
MESA	26

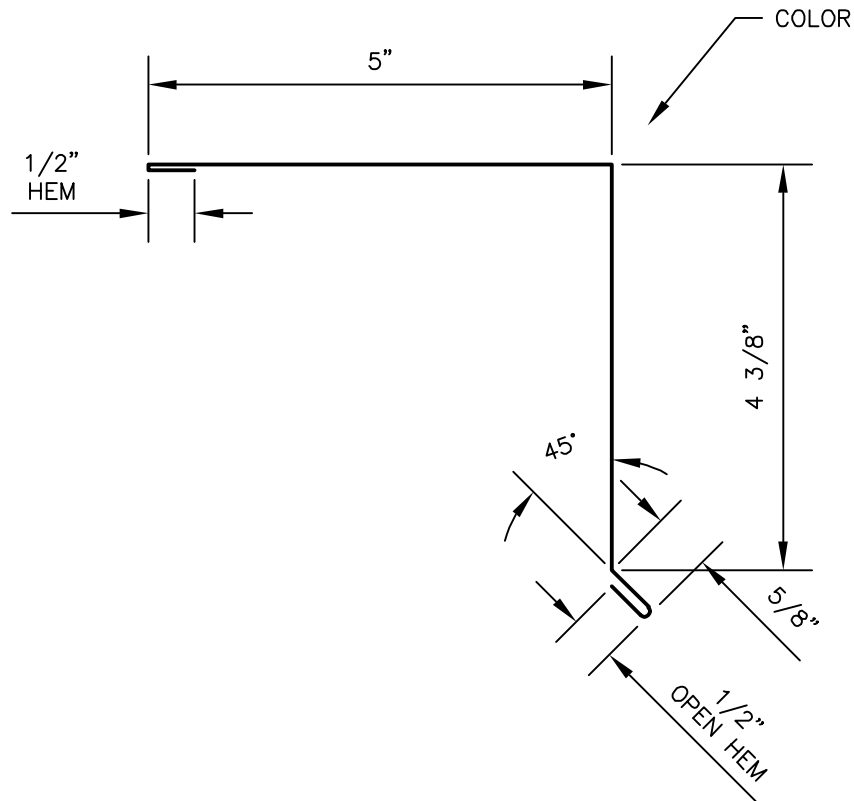
## VALLEY TRIM

(ARCHITECTURAL / RESIDENTIAL CONCEALED)

7-07-20 rev.  
 11-04-14 rev.  
 7-08-13 rev.  
 7-20-11 rev.  
 3-22-99

GIRTH: 21"  
 BENDS: 90° AND AS SPECIFIED





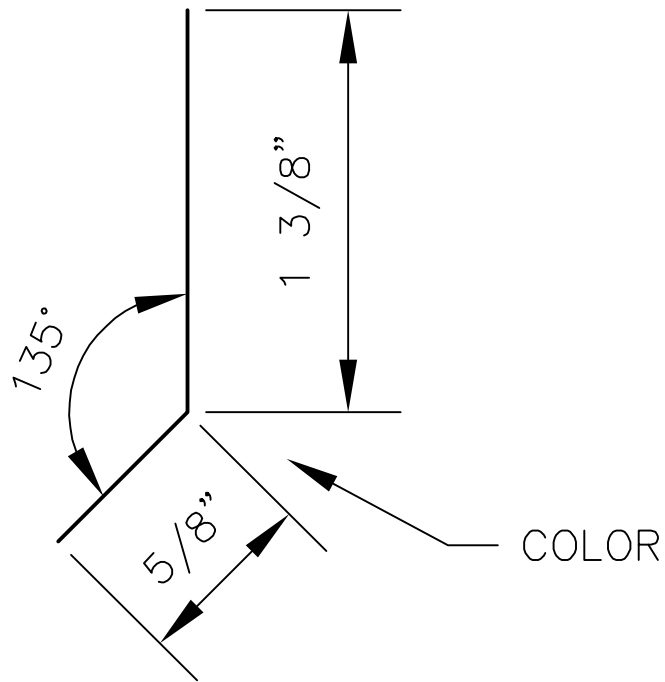
### RAKE TRIM

(ARCHITECTURAL / RESIDENTIAL CONCEALED)

PANEL PROFILES	GAUGE
MERIDIAN (AR/RC)	24 or 26
MULTI-COR	26
M-COR	26

7-07-20 rev.  
 11-04-14 rev.  
 7-08-13 rev.  
 6-20-11

GIRTH: 11"  
 BENDS: 90° AND AS SPECIFIED



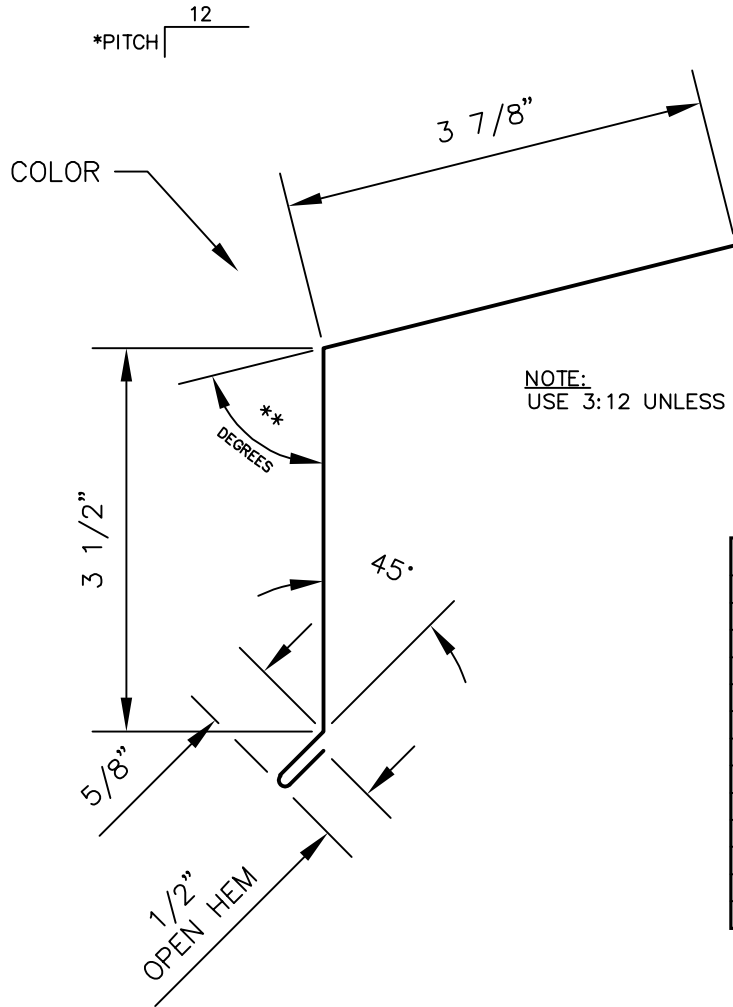
## PERIMETER CLEAT

(ARCHITECTURAL / RESIDENTIAL CONCEALED)

PANEL PROFILES	GAUGE
MERIDIAN (AR/RC)	24 or 26

7-07-20 rev.  
 11-04-14 rev.  
 7-08-13 rev.  
 10-12-11 rev.  
 3-22-99

GIRTH: 2"  
 BENDS: AS SPECIFIED



NOTE:  
USE 3:12 UNLESS NOTED

*PITCH	**DEGREES
0:12	90°
1:12	85°
2:12	81°
3:12	76°
4:12	72°
5:12	67°
6:12	63°
7:12	60°
8:12	56°
9:12	53°
10:12	50°
11:12	47°
12:12	45°

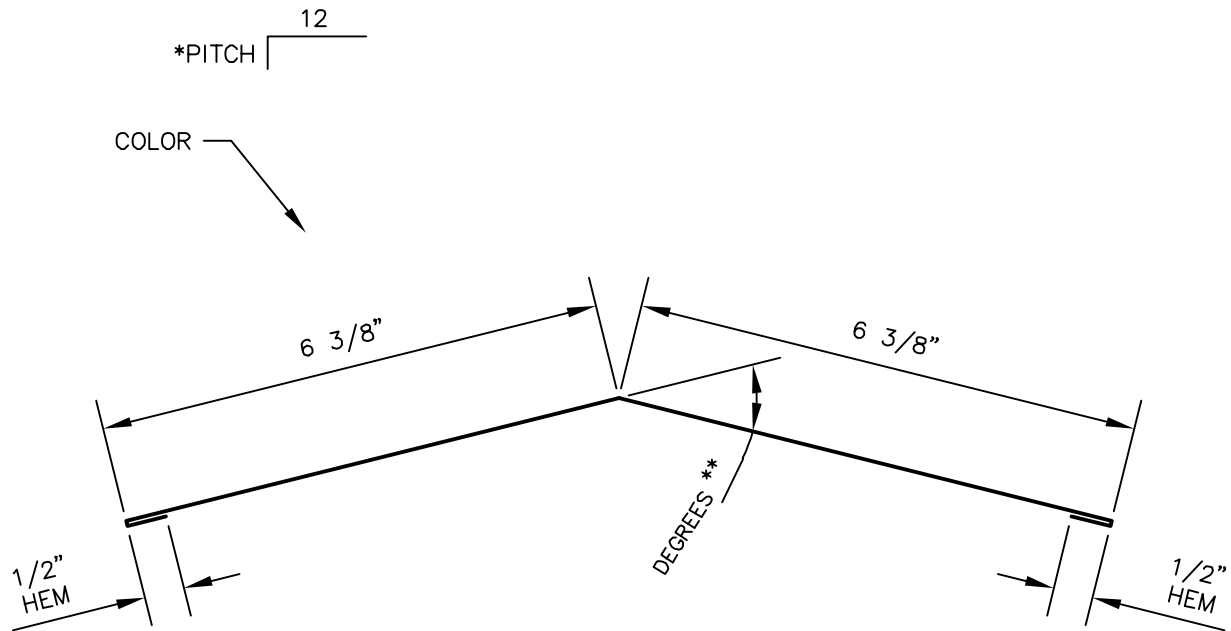
### EAVE TRIM

(ARCHITECTURAL / RESIDENTIAL CONCEALED)

PANEL PROFILES	GAUGE
MERIDIAN (AR/RC)	24 or 26

7-07-20 rev.  
11-04-14 rev.  
7-08-13 rev.  
6-20-11 rev.  
3-22-99

GIRTH: 8 1/2"  
BENDS: 90° AND AS SPECIFIED



*PITCH	**DEGREES
1:12	10°
2:12	19°
3:12	28°
4:12	37°
5:12	45°
6:12	53°
7:12	61°
8:12	68°
9:12	74°
10:12	80°
11:12	85°
12:12	90°

\*USE 3:12 UNLESS NOTED

PANEL PROFILES	GAUGE
MERIDIAN (AR/RC)	24 or 26
MEDALLION I	24
MEDALLION II	24
MEDALLION-LOK	24
MAXIMA 1.5"	24
MAXIMA 2"	24
MAXIMA 3"	24
MAXIMA ADV	24

## RIDGE TRIM

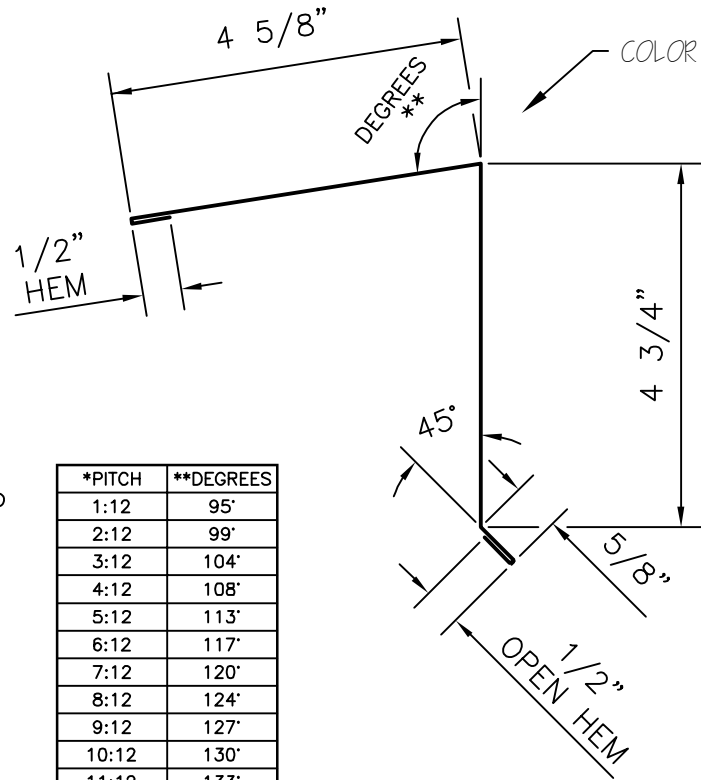
(ARCHITECTURAL / RESIDENTIAL CONCEALED)

7-07-20 rev.  
 11-04-14 rev.  
 7-08-13 rev.  
 7-20-11 rev.  
 3-22-99

GIRTH: 13 3/4"  
 BENDS: 90° AND AS SPECIFIED



\*PITCH  $\frac{12}{12}$



\* USE 3:12 UNLESS NOTED

*PITCH	**DEGREES
1:12	95°
2:12	99°
3:12	104°
4:12	108°
5:12	113°
6:12	117°
7:12	120°
8:12	124°
9:12	127°
10:12	130°
11:12	133°
12:12	135°

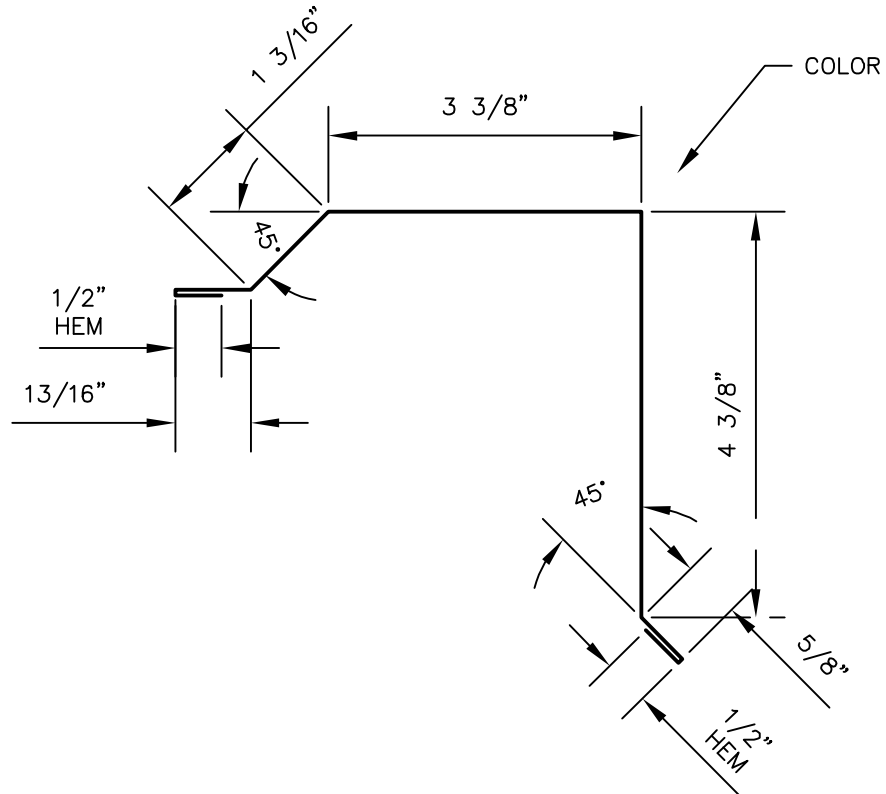
## HIGH SIDE EAVE TRIM

(ARCHITECTURAL / RESIDENTIAL CONCEALED)

PANEL PROFILES	GAUGE
MERIDIAN (AR/RC)	24 or 26
MEDALLION I	24
MULTI-COR	26
M-COR	26

7-07-20 rev.  
 7-08-13 rev.  
 4-29-11

GIRTH: 11"  
 BENDS: 90° AND AS SPECIFIED



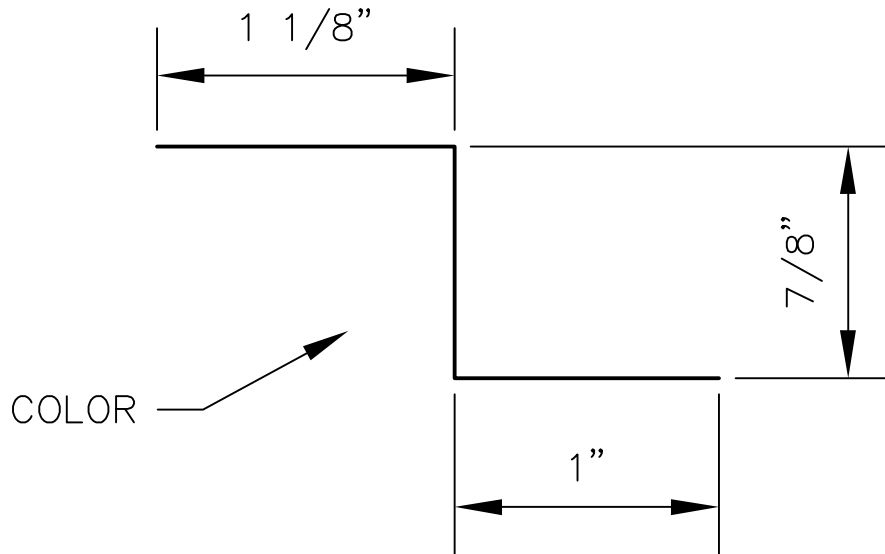
## RAKE TRIM

(EXPOSED FASTENER / RESIDENTIAL EXPOSED)

PANEL PROFILES	GAUGE
MERIDIAN (EF/RE)	24 or 26

7-07-20 rev.  
 11-04-14 rev.  
 7-08-13 rev.  
 6-20-11

GIRTH: 11 3/8"  
 BENDS: 90° AND AS SPECIFIED

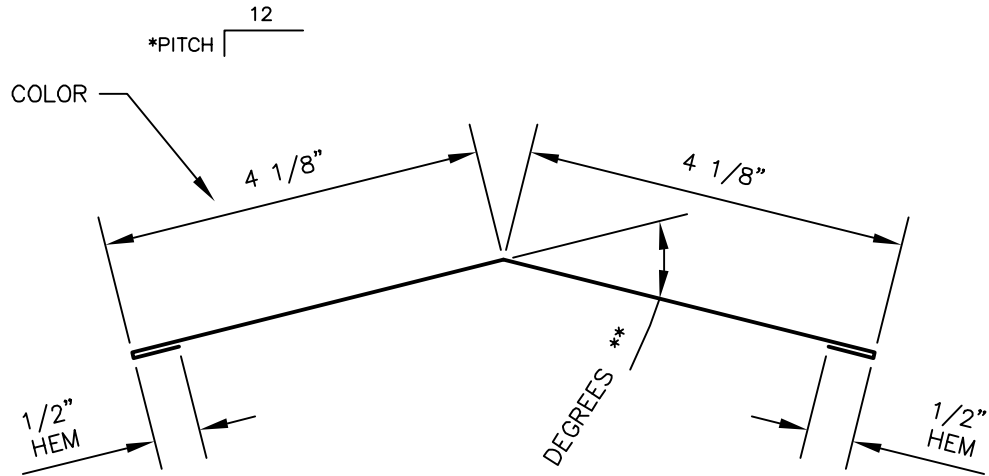


ZEE CLOSURE

PANEL PROFILES	GAUGE
MERIDIAN	24 or 26

11-04-14 rev.  
7-08-13 rev.  
10-12-11 rev.  
3-22-99

GIRTH: 3"  
BENDS: 90°



*PITCH	**DEGREES
1:12	7°
2:12	14°
3:12	20°
4:12	27°
5:12	33°
6:12	39°
7:12	45°
8:12	51°
9:12	57°
10:12	63°
11:12	69°
12:12	75°

\*USE 3:12 UNLESS NOTED

## HIP TRIM

PANEL PROFILES	GAUGE
MERIDIAN	24 or 26
MAX-RIB	26
MESA	26
U-PANEL	26

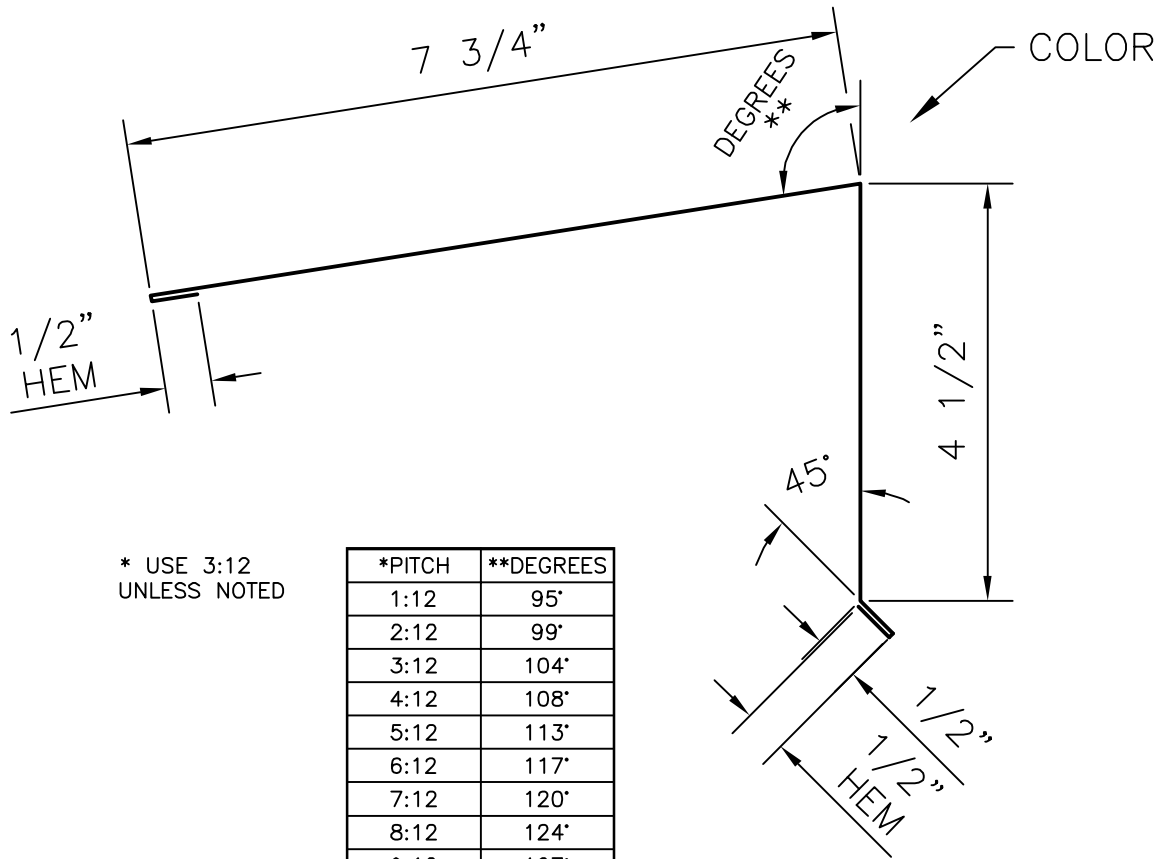
11-04-14 rev.  
 7-08-13 rev.  
 7-20-11 rev.  
 3-22-99

GIRTH: 9 1/4"  
 BENDS: 90° AND AS SPECIFIED





\*PITCH  $\left| \begin{array}{l} 12 \\ \hline \end{array} \right.$



\* USE 3:12 UNLESS NOTED

*PITCH	**DEGREES
1:12	95°
2:12	99°
3:12	104°
4:12	108°
5:12	113°
6:12	117°
7:12	120°
8:12	124°
9:12	127°
10:12	130°
11:12	133°
12:12	135°

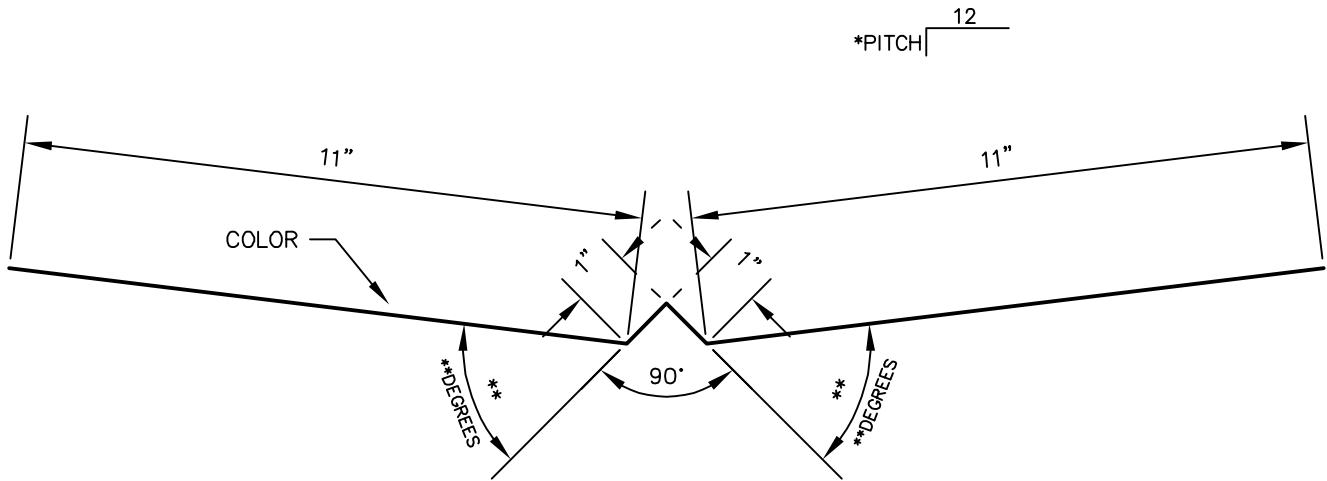
## HIGH SIDE EAVE TRIM

(EXPOSED FASTENER / RESIDENTIAL EXPOSED)

PANEL PROFILES	GAUGE
MERIDIAN (EF/RE)	24 or 26
RESIDENTIAL	26
MAX-RIB	26
MESA	26

7-07-20 rev.  
 11-04-14 rev.  
 8-21-13 rev.  
 4-29-11

GIRTH: 13 3/4"  
 BENDS: 90° AND AS SPECIFIED



*PITCH	**DEGREES
1:12	48°
2:12	52°
3:12	55°
4:12	58°
5:12	61°
6:12	64°
7:12	68°
8:12	70°
9:12	73°
10:12	76°
11:12	79°
12:12	82°

\*USE 3:12 UNLESS NOTED

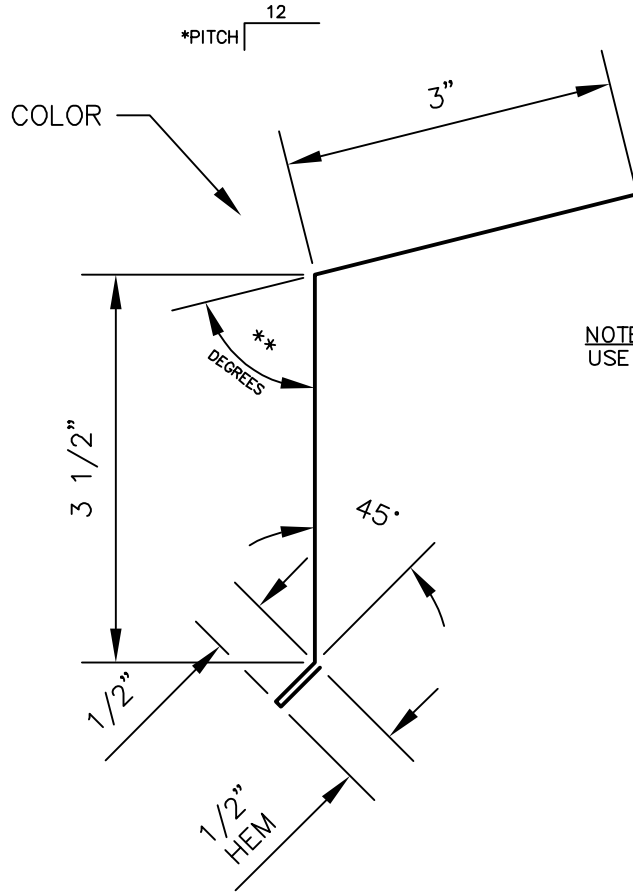
## VALLEY TRIM

(EXPOSED FASTENER / RESIDENTIAL EXPOSED)

PANEL PROFILES	GAUGE
MERIDIAN (EF/RE)	24 or 26

7-07-20 rev.  
 11-04-14 rev.  
 7-08-13 rev.  
 7-20-11 rev.  
 4-17-03

GIRTH: 24"  
 BENDS: 90° AND AS SPECIFIED



NOTE:  
USE 3:12 UNLESS NOTED

*PITCH	**DEGREES
0:12	90°
1:12	85°
2:12	81°
3:12	76°
4:12	72°
5:12	67°
6:12	63°
7:12	60°
8:12	56°
9:12	53°
10:12	50°
11:12	47°
12:12	45°

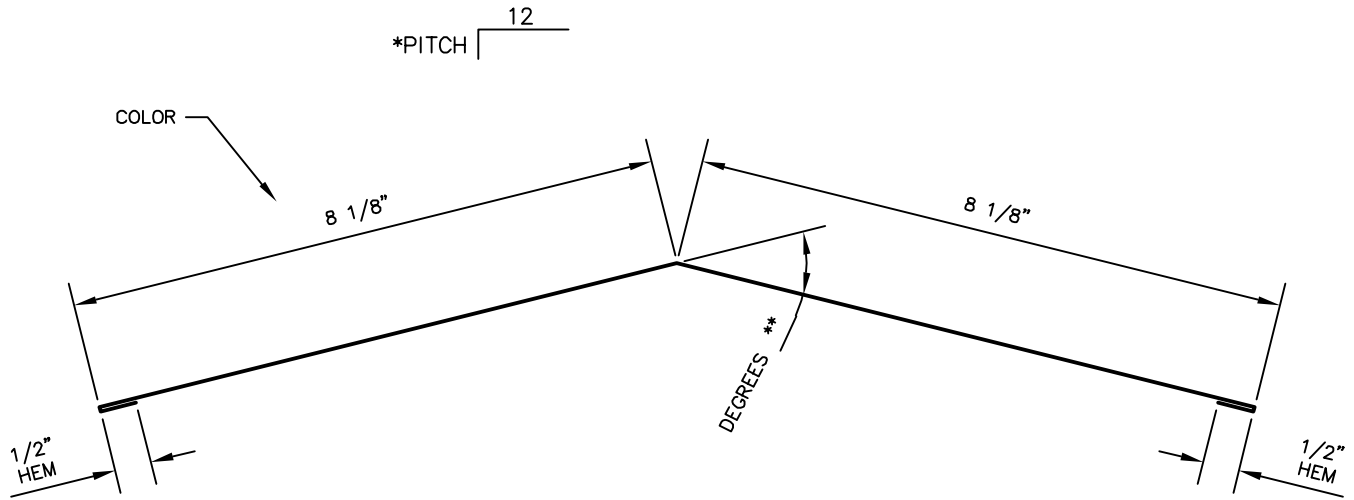
## EAVE TRIM

(EXPOSED FASTENER / RESIDENTIAL EXPOSED)

PANEL PROFILES	GAUGE
MERIDIAN (EF/RE)	24 or 26
MULTI-RIB	26
R-PANEL	26
U-PANEL	26
MULTI-COR	26
M-COR	26

7-07-20 rev.  
11-04-14 rev.  
8-21-13 rev.  
6-20-11

GIRTH: 7 1/2"  
BENDS: 90° AND AS SPECIFIED



*PITCH	**DEGREES
1:12	10'
2:12	19'
3:12	28'
4:12	37'
5:12	45'
6:12	53'
7:12	61'
8:12	68'
9:12	74'
10:12	80'
11:12	85'
12:12	90'

\*USE 3:12 UNLESS NOTED

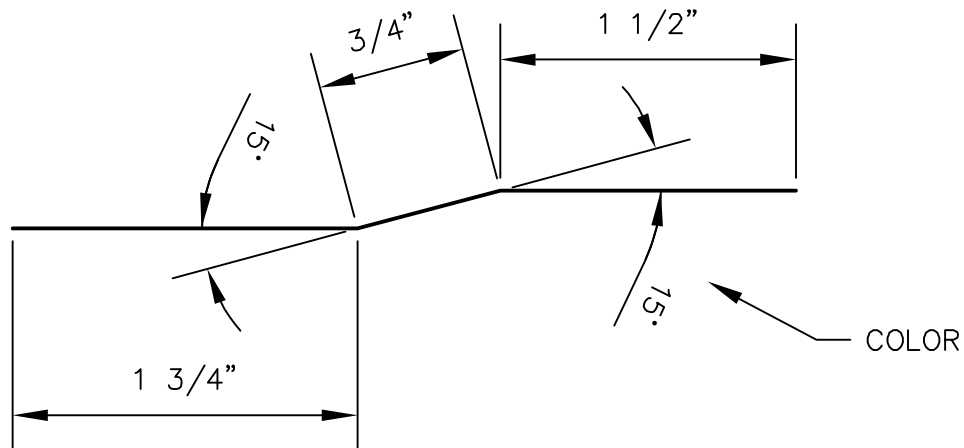
## RIDGE TRIM

(EXPOSED FASTENER / RESIDENTIAL EXPOSED)

PANEL PROFILES	GAUGE
MERIDIAN (EF/RE)	24 or 26
MAX-RIB	26
MESA	26

7-07-20 rev.  
 11-04-14 rev.  
 7-08-13 rev.  
 7-20-11 rev.  
 3-22-99

GIRTH: 17 1/4"  
 BENDS: 90° AND AS SPECIFIED



## OFFSET CLEAT

(ARCHITECTURAL / RESIDENTIAL CONCEALED)

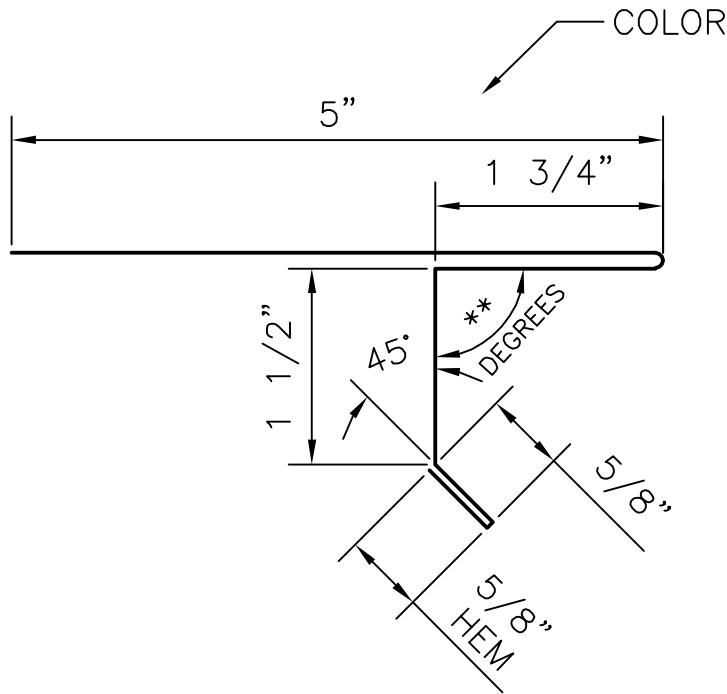
PANEL PROFILES	GAUGE
MERIDIAN (AR/RC)	24 or 26
MEDALLION I	24
MEDALLION II	24
MEDALLION-LOK	24
MAXIMA 1.5"	24
MAXIMA 2"	24
MAXIMA ADV	24

7-07-20 rev.  
 11-04-14 rev.  
 7-08-13 rev.  
 10-12-11 rev.  
 1-19-04

GIRTH: 4"  
 BENDS: 90° AND AS SPECIFIED



12  
\*PITCH



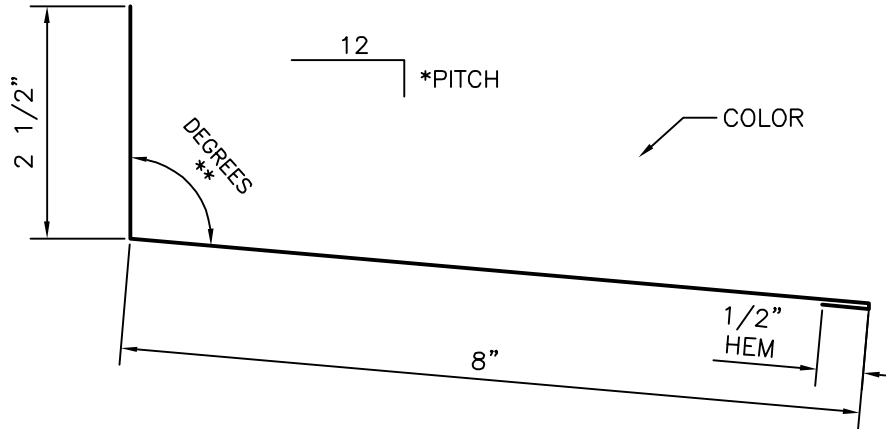
*PITCH	**DEGREES
0:12	90°
1:12	85°
2:12	81°
3:12	76°
4:12	72°
5:12	67°
6:12	63°
7:12	60°
8:12	56°

## EAVE DRIP/RAKE TRIM

PANEL PROFILES	GAUGE
MERIDIAN	24 or 26
MAXIMA 1.5"	24
MAXIMA 2"	24
MAXIMA 3"	24
MAXIMA ADV	24
MEDALLION I	24
MEDALLION II	24
MEDALLION-LOK	24

9-24-19 rev.  
11-04-14 rev.  
12-05-13

GIRTH: 9 1/2"  
BENDS: 90° UNLESS SPECIFIED



\* USE 3:12  
UNLESS NOTED

*PITCH	**DEGREES
1:12	95°
2:12	99°
3:12	104°
4:12	108°
5:12	113°
6:12	117°
7:12	120°
8:12	124°
9:12	127°
10:12	130°
11:12	133°
12:12	135°

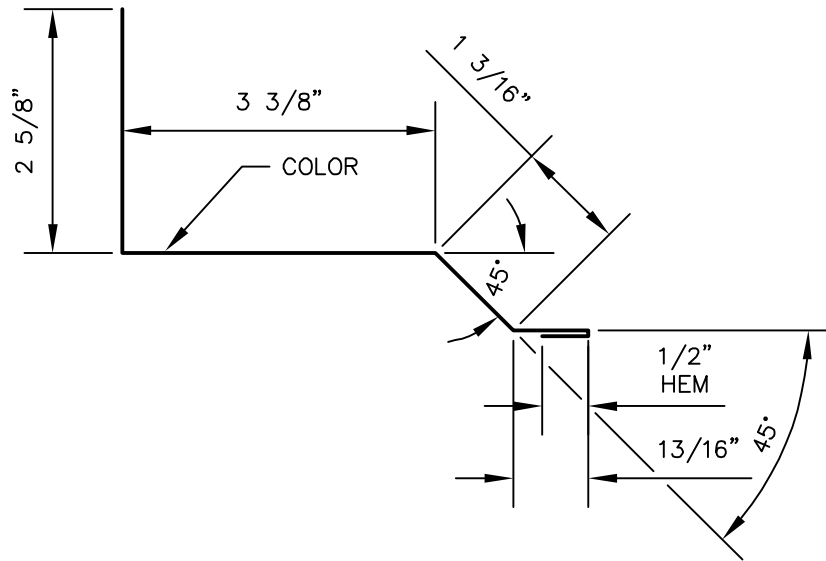
## HIGH SIDE TIE-IN TRIM

(EXPOSED FASTENER / RESIDENTIAL EXPOSED)

PANEL PROFILES	GAUGE
MERIDIAN (EF/RE)	24 or 26
MAX-RIB	26
MESA	26

7-07-20 rev.  
11-04-14 rev.  
7-08-13 rev.  
4-29-11

GIRTH: 11"  
BENDS: 90° AND AS SPECIFIED



## RAKE TIE-IN TRIM

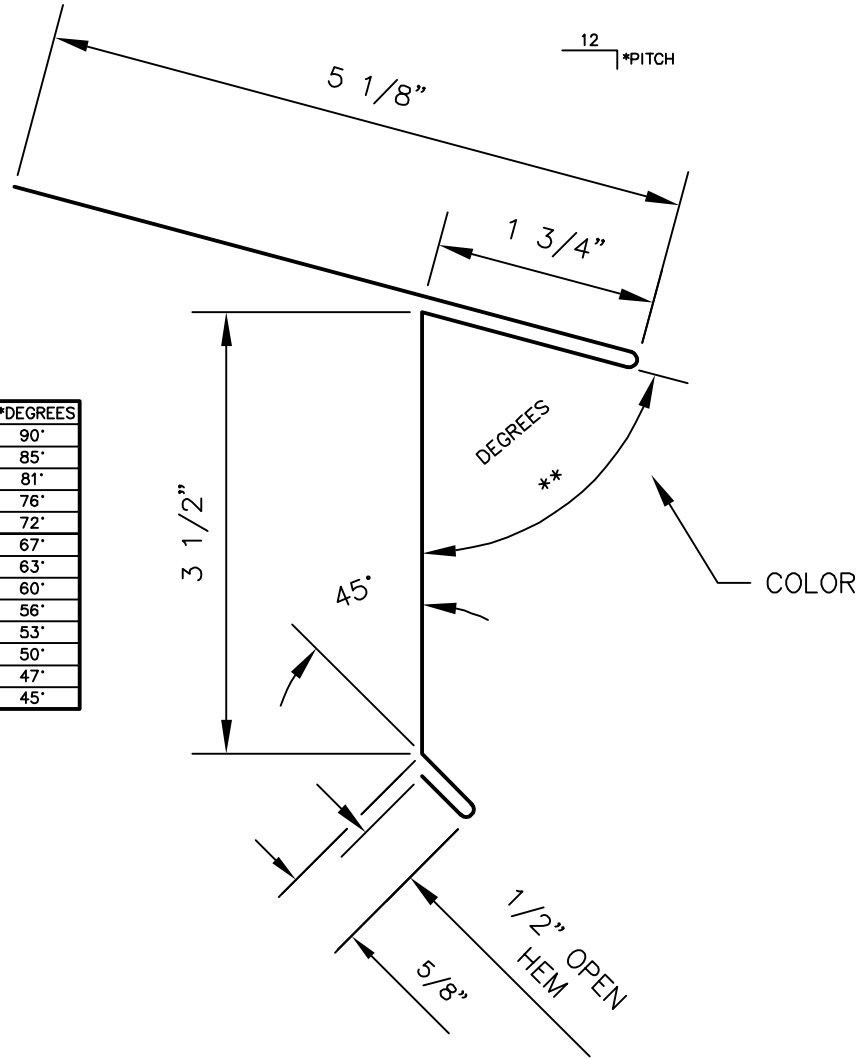
(EXPOSED FASTENER / RESIDENTIAL EXPOSED)

PANEL PROFILES	GAUGE
MERIDIAN (EF/RE)	24 or 26

7-07-20 rev.  
 11-04-14 rev.  
 7-08-13 rev.  
 6-20-11

GIRTH:  $8 \frac{1}{2}''$   
 BENDS:  $90^\circ$  AND AS SPECIFIED





*PITCH	**DEGREES
0:12	90°
1:12	85°
2:12	81°
3:12	76°
4:12	72°
5:12	67°
6:12	63°
7:12	60°
8:12	56°
9:12	53°
10:12	50°
11:12	47°
12:12	45°

\*USE 3:12 UNLESS NOTED

PANEL PROFILES	GAUGE
MERIDIAN (AR/RC)	24 or 26
MAXIMA 1.5"	24
MAXIMA 2"	24
MAXIMA 3"	24
MAXIMA ADV	24
MEDALLION I	24
MEDALLION II	24
MEDALLION-LOK	24

## EAVE DRIP/RAKE TRIM

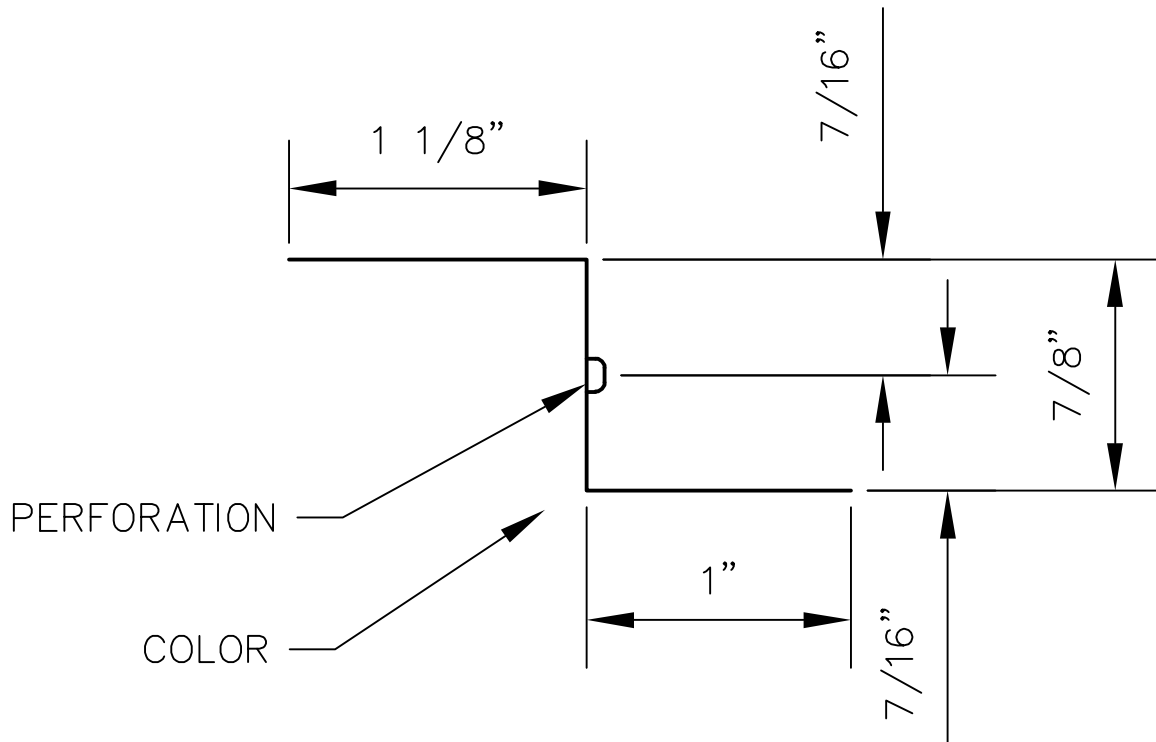
(ARCHITECTURAL / RESIDENTIAL CONCEALED)

7-07-20 rev.  
 5-12-16 rev.  
 11-04-14 rev.  
 8-21-13 rev.  
 11-19-12 rev.  
 6-20-11

GIRTH: 11 1/2"  
 BENDS: 90° AND AS SPECIFIED



NET FREE AREA
3.7%

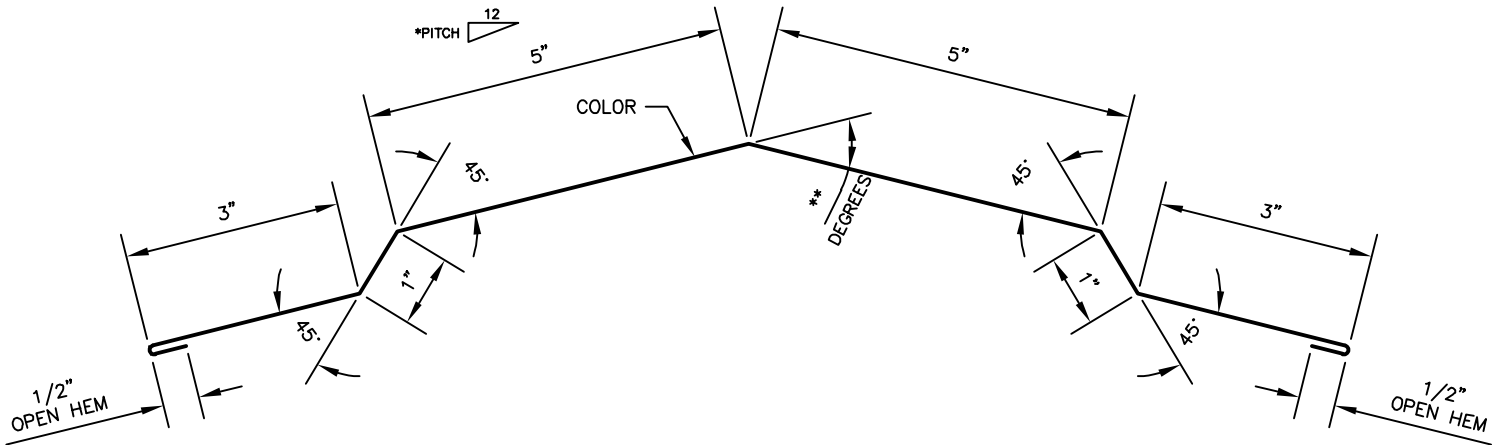


## VENTED ZEE CLOSURE

!!!NOT FOR USE WITH WEATHER TIGHTNESS WARRANTIES!!!

PANEL PROFILES	GAUGE
MERIDIAN	24 or 26

PEACHTREE PLANT ONLY



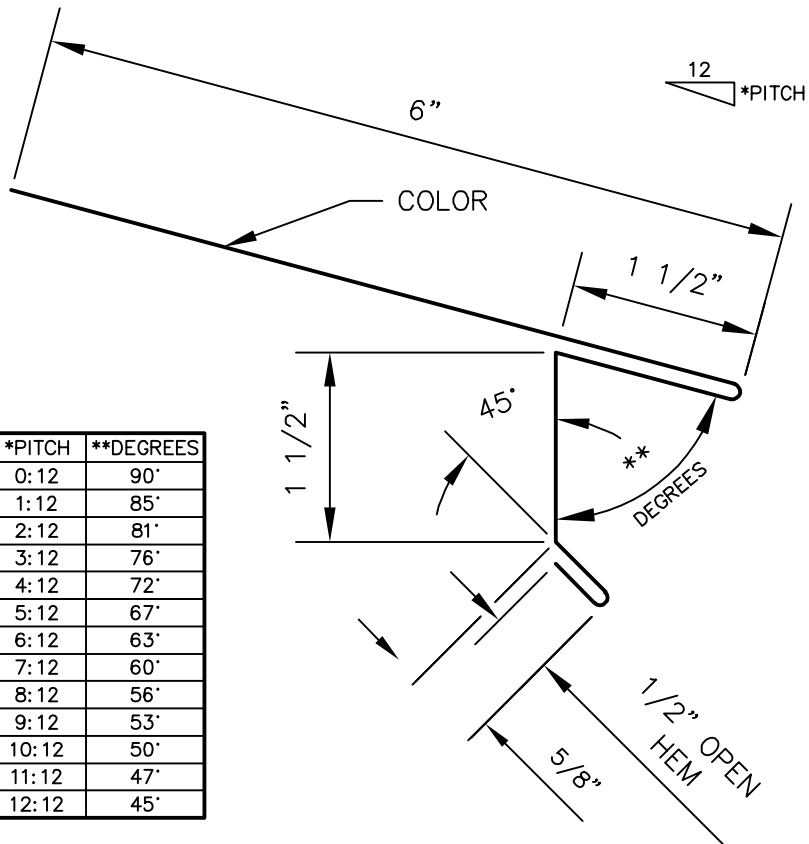
*PITCH	**DEGREES
1:12	10°
2:12	19°
3:12	28°
4:12	37°
5:12	45°
6:12	53°
7:12	61°
8:12	68°
9:12	74°
10:12	80°
11:12	85°
12:12	90°

\*USE 3:12 UNLESS NOTED

## 8" STEPPED RIDGE TRIM

(ARCHITECTURAL)

PANEL PROFILES	GAUGE
MERIDIAN (ARCH)	24 or 26

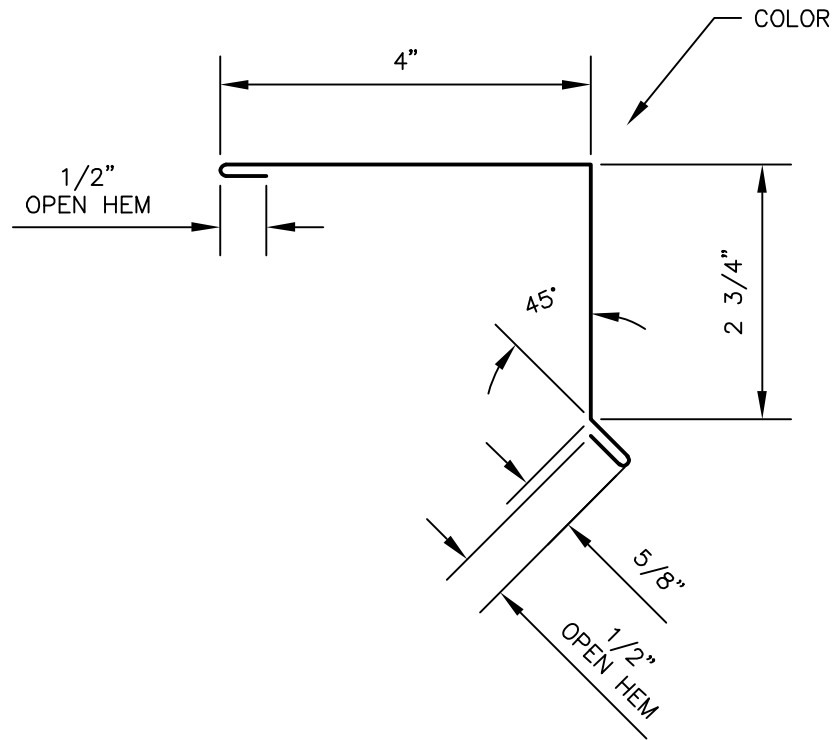


*PITCH	**DEGREES
0:12	90°
1:12	85°
2:12	81°
3:12	76°
4:12	72°
5:12	67°
6:12	63°
7:12	60°
8:12	56°
9:12	53°
10:12	50°
11:12	47°
12:12	45°

\*USE 3:12  
UNLESS NOTED

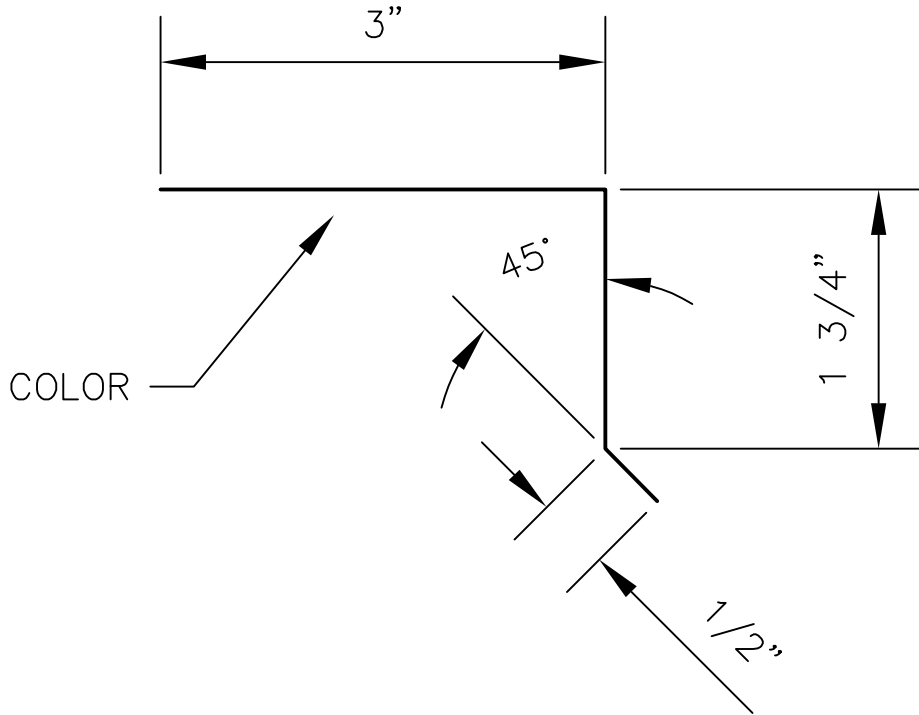
**M 1.5" EAVE DRIP TRIM**  
(ARCHITECTURAL / RESIDENTIAL CONCEALED)

PANEL PROFILES	GAUGE
MERIDIAN (AR/RC)	24 or 26



**M 2.75" RAKE TRIM**  
(ARCHITECTURAL / RESIDENTIAL CONCEALED)

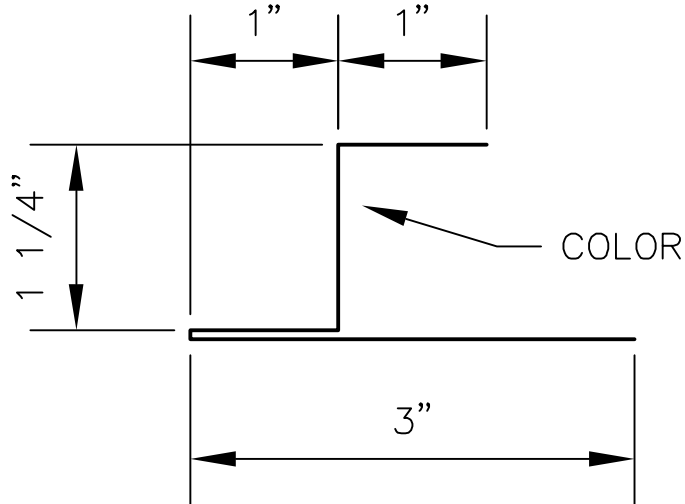
PANEL PROFILES	GAUGE
MERIDIAN (AR/RC)	24 or 26



### FIXED RAKE CLEAT

(ARCHITECTURAL / RESIDENTIAL CONCEALED)

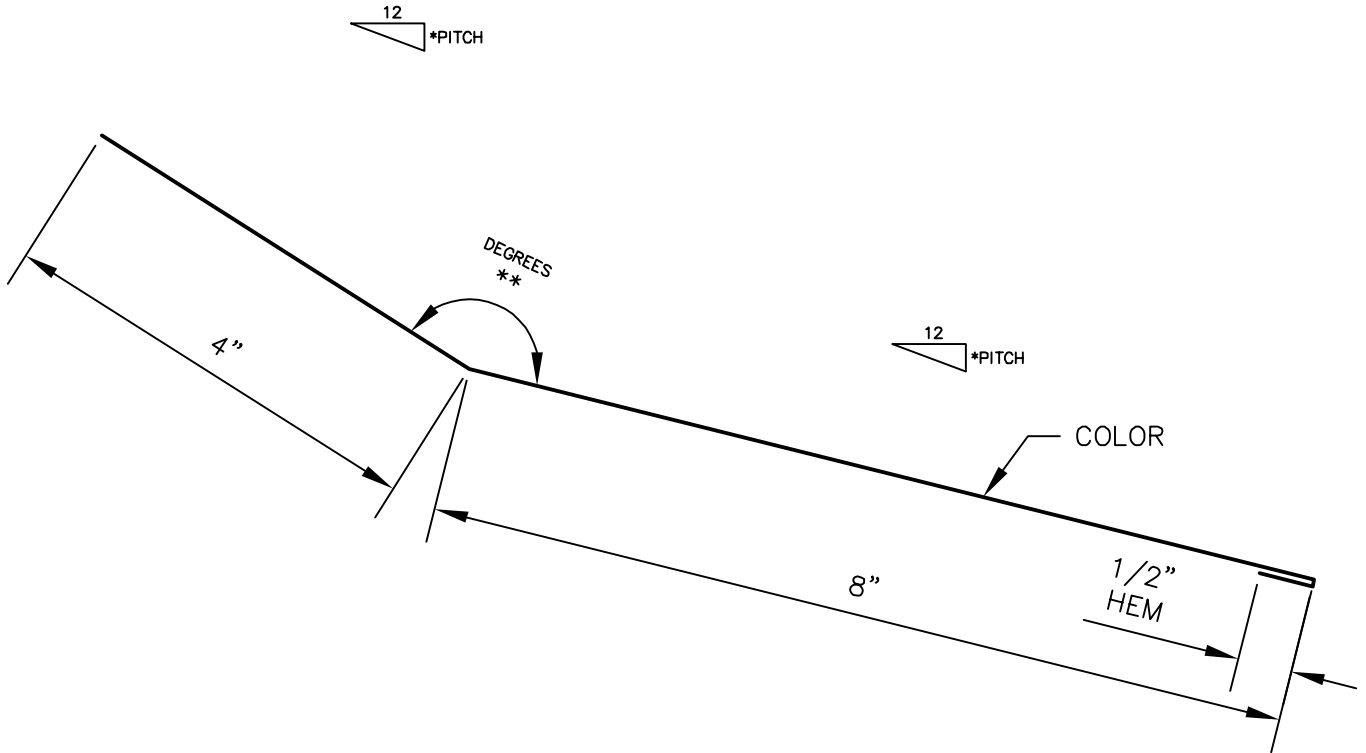
PANEL PROFILES	GAUGE
MERIDIAN (AR/RC)	24 or 26



### MODIFIED "J" TRIM

(ARCHITECTURAL / RESIDENTIAL CONCEALED)

PANEL PROFILES	GAUGE
MERIDIAN (AR/RC)	24 or 26



## PITCH BREAK TRIM

(ARCHITECTURAL / RESIDENTIAL CONCEALED)

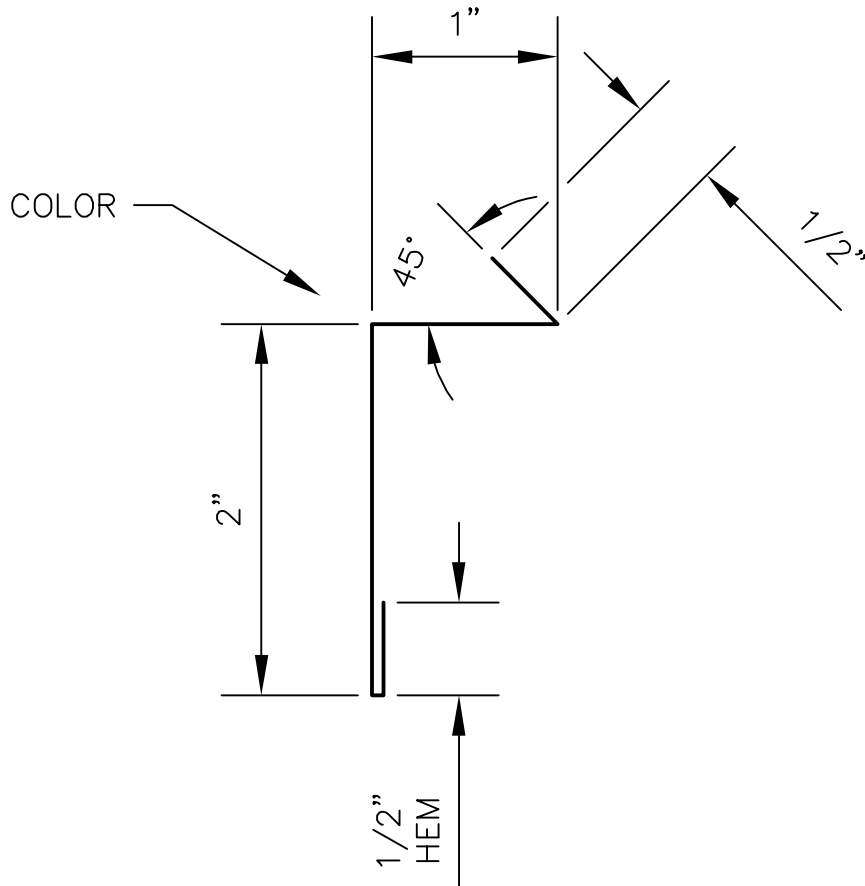
(THIS TRIM WILL ONLY WORK WITH THE LISTED ROOF PITCHES)

		UPPER ROOF PITCH						
		6:12	7:12	8:12	9:12	10:12	11:12	12:12
LOWER ROOF PITCH	3:12	167'	164'	160'	157'	154'	152'	149'
	4:12		168'	165'	162'	159'	156'	153'
	5:12			169'	166'	163'	160'	158'
	6:12				170'	167'	164'	162'
	7:12					170'	168'	165'
	8:12						171'	169'

PANEL PROFILES	GAUGE
MERIDIAN (AR/RC)	24 or 26

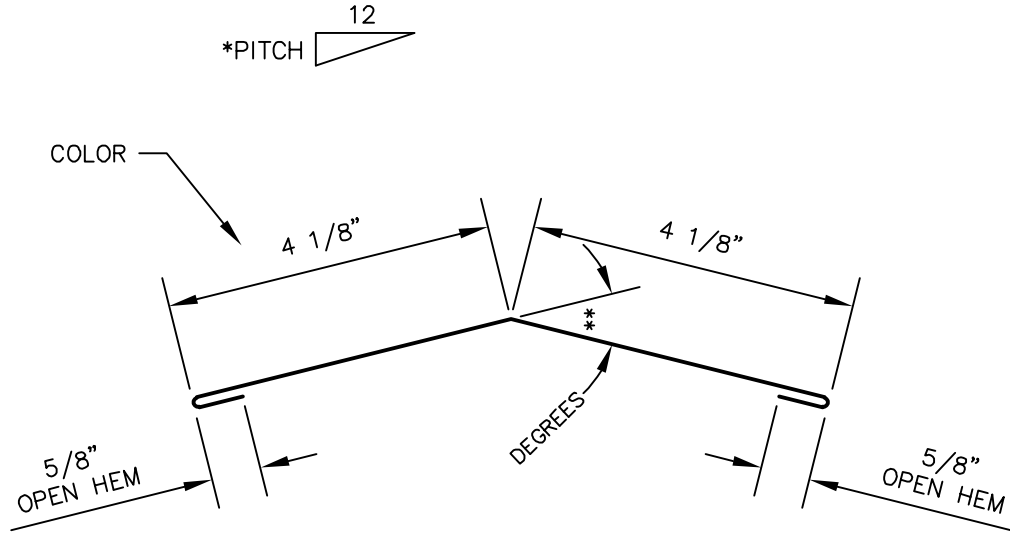
GIRTH: 12 1/2"  
BENDS: 90° AND AS SPECIFIED





**REGLET TRIM**  
(ARCHITECTURAL / RESIDENTIAL CONCEALED)

PANEL PROFILES	GAUGE
MERIDIAN (AR/RC)	24 or 26



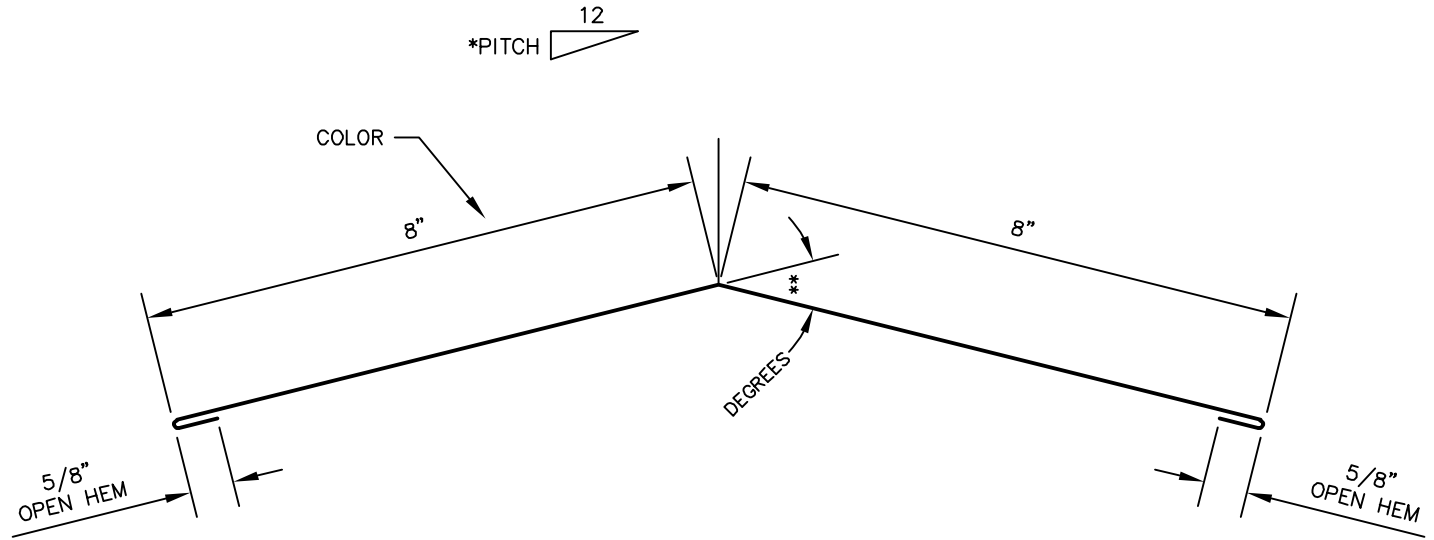
*PITCH	**DEGREES
1:12	10°
2:12	19°
3:12	28°
4:12	37°
5:12	45°
6:12	53°
7:12	61°
8:12	68°
9:12	74°
10:12	80°
11:12	85°
12:12	90°

\*USE 3:12 UNLESS NOTED

## FLAT HIP TRIM

(ARCHITECTURAL / RESIDENTIAL CONCEALED)

PANEL PROFILES	GAUGE
MERIDIAN (AR/RC)	24 or 26



*PITCH	**DEGREES
1:12	10°
2:12	19°
3:12	28°
4:12	37°
5:12	45°
6:12	53°
7:12	61°
8:12	68°
9:12	74°
10:12	80°
11:12	85°
12:12	90°

\*USE 3:12 UNLESS NOTED

## FLAT RIDGE TRIM

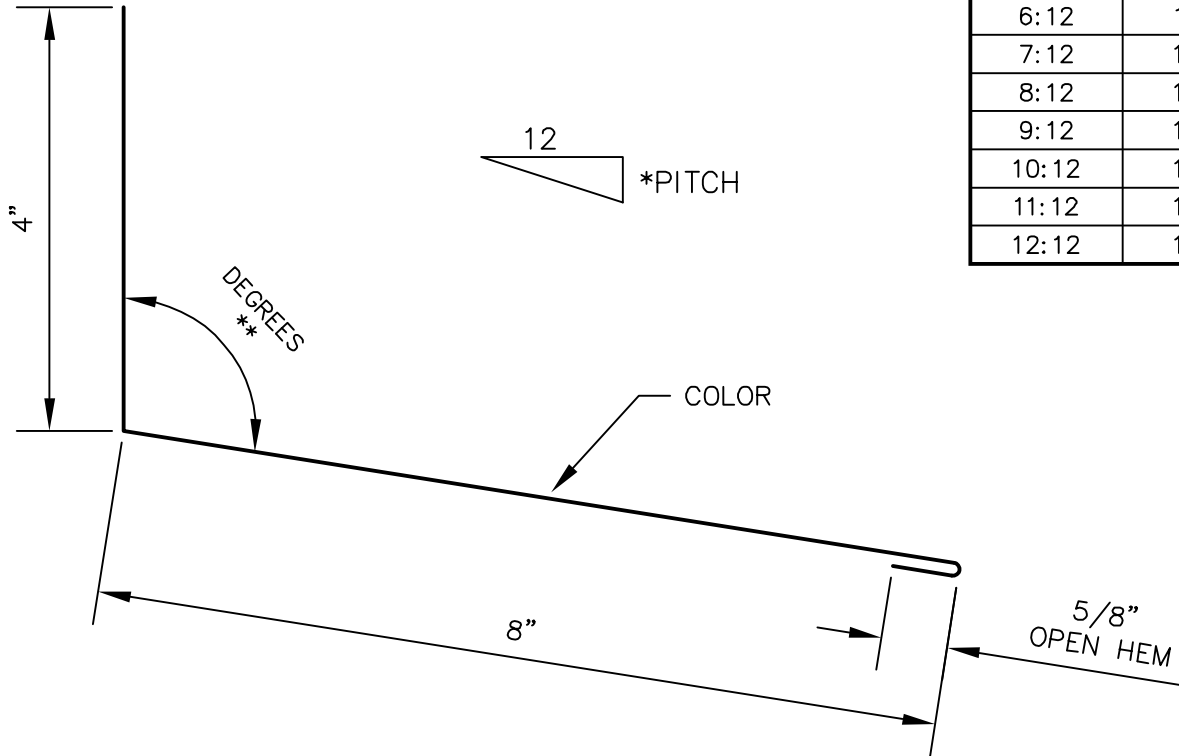
(ARCHITECTURAL / RESIDENTIAL CONCEALED)

PANEL PROFILES	GAUGE
MERIDIAN (AR/RC)	24 or 26



\* USE 3:12  
UNLESS NOTED

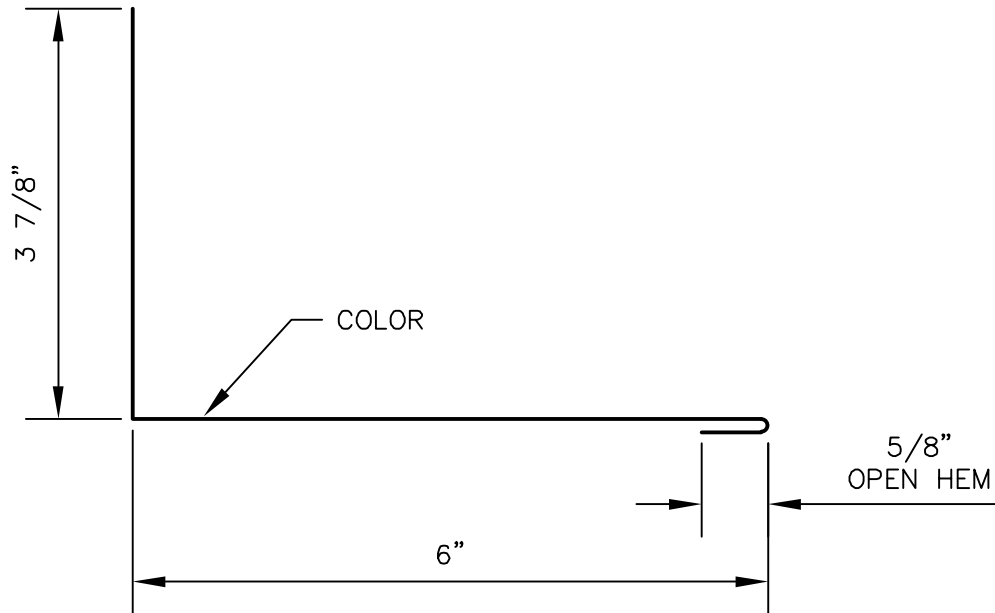
*PITCH	**DEGREES
1:12	95°
2:12	99°
3:12	104°
4:12	108°
5:12	113°
6:12	117°
7:12	120°
8:12	124°
9:12	127°
10:12	130°
11:12	133°
12:12	135°



## ENDWALL TRIM

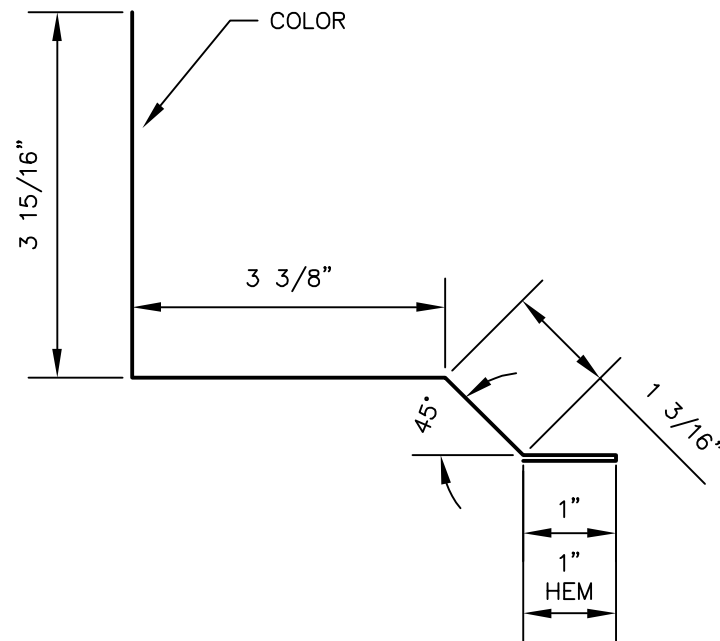
(ARCHITECTURAL / RESIDENTIAL CONCEALED)

PANEL PROFILES	GAUGE
MERIDIAN (AR/RC)	24 or 26



**SIDEWALL TRIM**  
(ARCHITECTURAL / RESIDENTIAL CONCEALED)

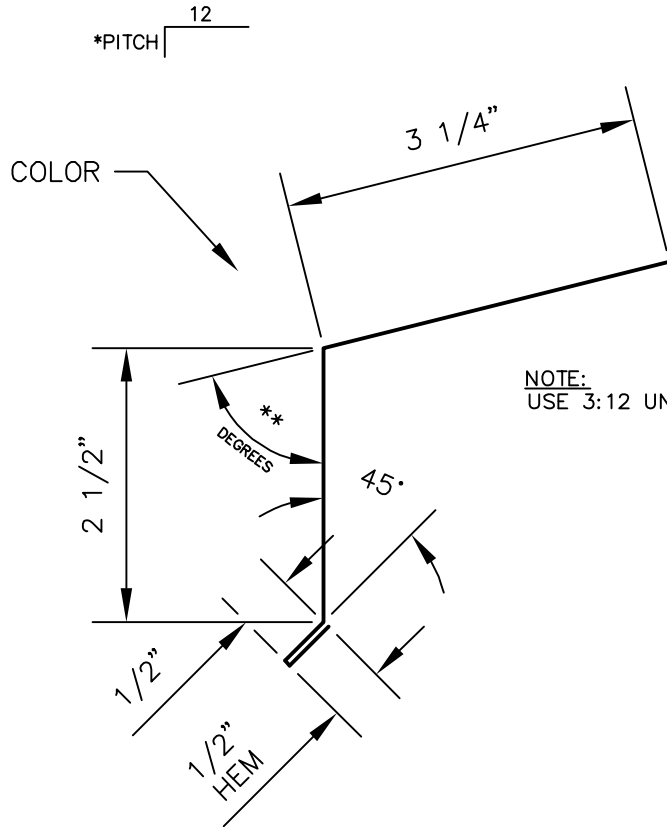
PANEL PROFILES	GAUGE
MERIDIAN (AR/RC)	24 or 26



## STEPPED RAKE TIE-IN / SIDEWALL TRIM

(EXPOSED FASTENER / RESIDENTIAL EXPOSED)

PANEL PROFILES	GAUGE
MERIDIAN (EF/RE)	24 or 26



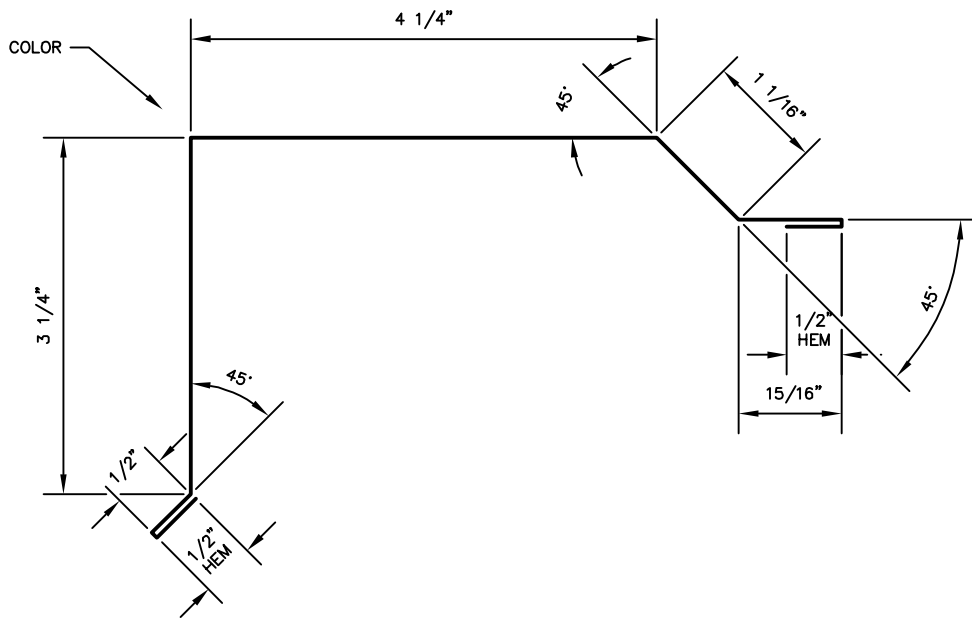
NOTE:  
USE 3:12 UNLESS NOTED

*PITCH	**DEGREES
0:12	90°
1:12	85°
2:12	81°
3:12	76°
4:12	72°
5:12	67°
6:12	63°
7:12	60°
8:12	56°
9:12	53°
10:12	50°
11:12	47°
12:12	45°

## DENVER EAVE TRIM

(EXPOSED FASTENER / RESIDENTIAL EXPOSED)

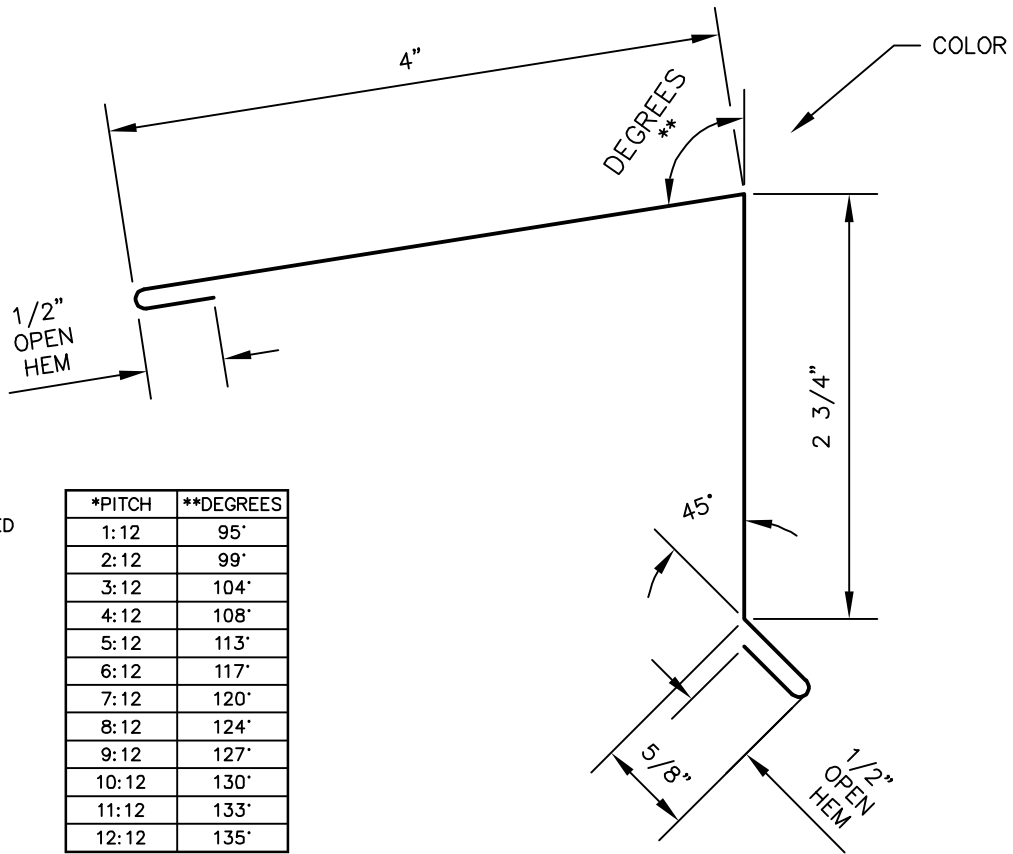
PANEL PROFILES	GAUGE
MERIDIAN (EF/RE)	29



**DENVER RAKE TRIM**  
 (EXPOSED FASTENER / RESIDENTIAL EXPOSED)

PANEL PROFILES	GAUGE
MERIDIAN (EF/RE)	29





\* USE 3:12 UNLESS NOTED

*PITCH	**DEGREES
1:12	95°
2:12	99°
3:12	104°
4:12	108°
5:12	113°
6:12	117°
7:12	120°
8:12	124°
9:12	127°
10:12	130°
11:12	133°
12:12	135°

## M 2.75" PEAK TRIM

(ARCHITECTURAL / RESIDENTIAL CONCEALED)

PANEL PROFILES	GAUGE
MERIDIAN (AR/RC)	26 or 29