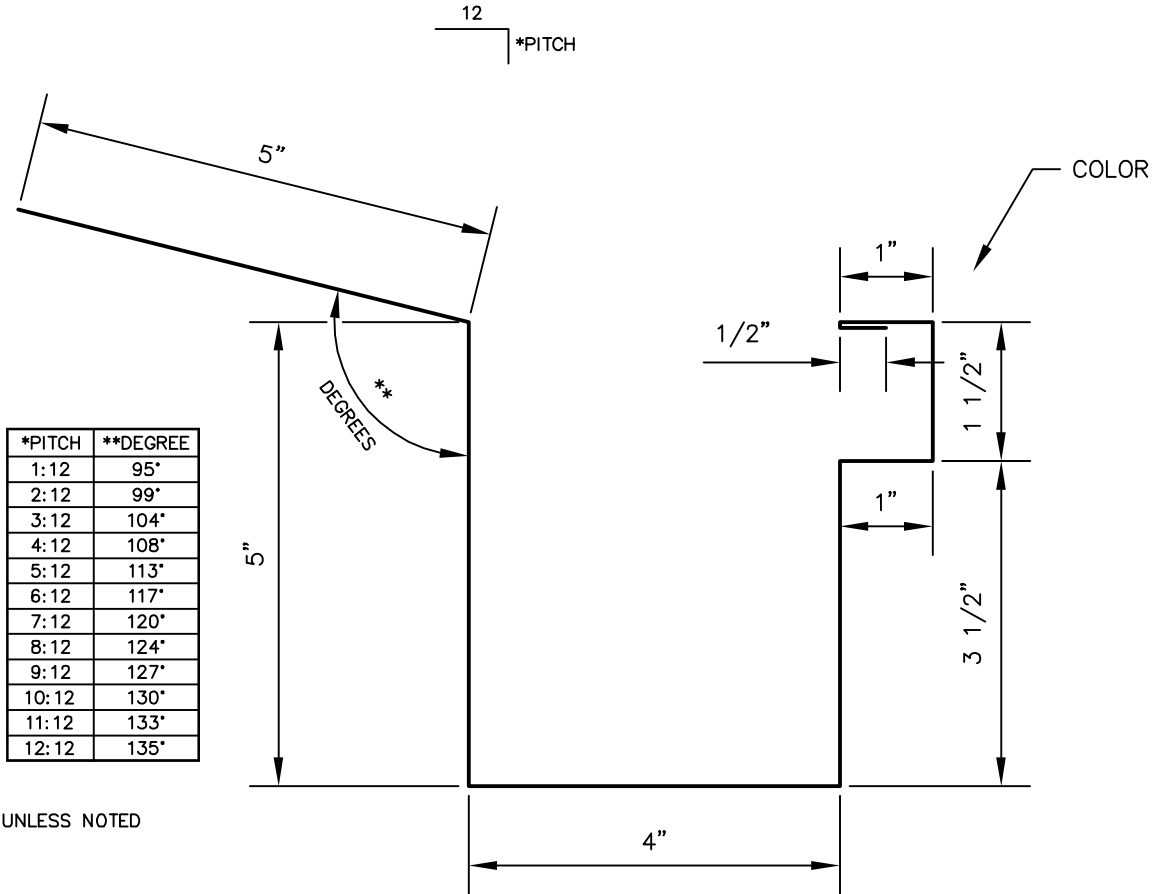


MEDALLION SERIES INDEX

<u>DWG #:</u>	<u>DESCRIPTION:</u>	<u>IMAGE #:</u>
M1TW-0001	Flanged Gutter	119
M1TW-0002	Eave Trim	25
M1TW-0003	Rake Trim - Medallion I	46
M1TW-0004	Rake Trim - Medallion II & Medallion-Lok	48
M1TW-0006	Zee Closure - Medallion I	131
M1TW-0007	Zee Closure - Medallion II	133
M1TW-0008	Zee Closure - Medallion-Lok	134
M1TW-0009	Perimeter Cleat - Medallion	139
M1TW-0010	Perimeter Zee - Medallion I	140
M1TW-0011	Perimeter Zee - Medallion II	141
M1TW-0012	Gutter Strap - Medallion	123
M1TW-0013	Rake Tie-In Trim - Medallion	56
M1TW-0014	Inside Corner Trim - Medallion	286
M1TW-0015	Soffit Base Trim - Medallion	203
M1TW-0016	Outside Corner Trim - Medallion	287
M1TW-0018	Ridge Trim - Medallion	71
M1TW-0019	Valley Trim - Medallion	28
M1TW-0020	High-Side Tie-In Trim - Medallion	19
M1TW-0021	High Side Eave Trim - Medallion I	7
M1TW-0022	High Side Eave Trim - Medallion II & Medallion-Lok	8
M1TW-0026	Gutter End Cap - Medallion	121
M1TW-0028	Perimeter Zee - Medallion-Lok	142
M1TW-0029	Offset Cleat - Medallion	143
M1TW-0030	Eave Drip/Rake Trim - Medallion	26
M1TW-0031	Alternate Rake Trim - Medallion I & II	49
M1TW-0032	"Northern" Gutter - 21 1/2" Girth	120
M1TW-0033	"Northern" Gutter End Cap	122
M1TW-0034	Eave Drip/Rake Trim	350
M1TW-0035	Vented Zee Closure	456
M1TW-0036	Hip Trim - Medallion	452
M1TW-0037	Face Mounted Gutter	125

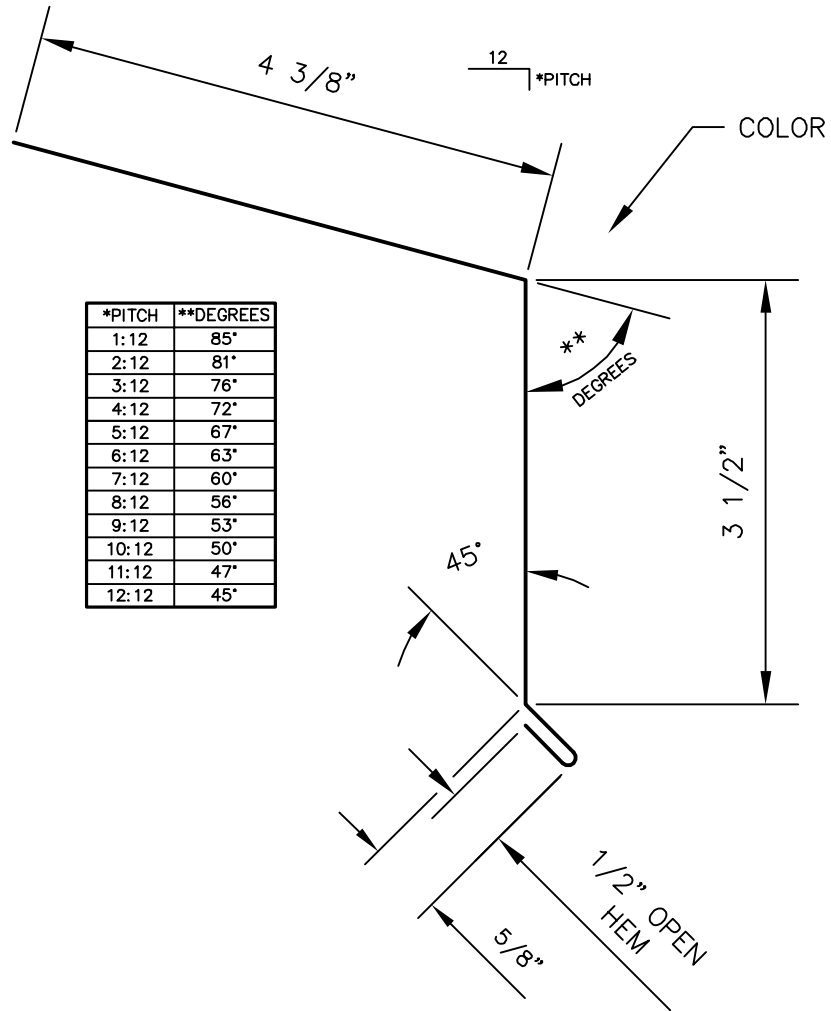


FLANGED GUTTER

PANEL PROFILES	GAUGE
MEDALLION I	24
MEDALLION II	24
MEDALLION-LOK	24
MAXIMA 1.5"	24
MAXIMA 2"	24
MAXIMA 3"	24
MAXIMA ADV	24

7-26-17 rev.
 6-25-13 rev.
 10-13-11 rev.
 9-27-11

GIRTH: 21 1/2"
 BENDS: 90° AND AS SPECIFIED

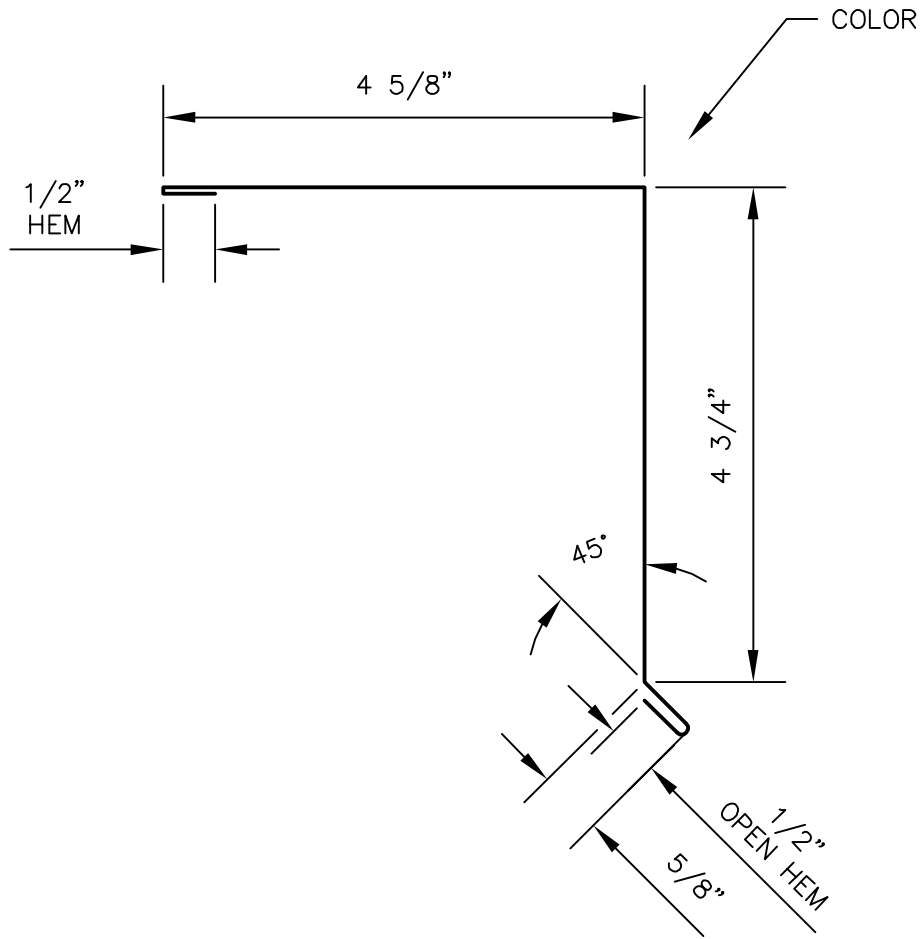


EAVE TRIM

PANEL PROFILES	GAUGE
MEDALLION I	24
MEDALLION II	24
MEDALLION-LOK	24
MAXIMA 1.5"	24
MAXIMA 2"	24
MAXIMA 3"	24
MAXIMA ADV	24

10-19-17 rev.
 8-21-13 rev.
 6-20-11

GIRTH: 9"
 BENDS: 90° AND AS SPECIFIED

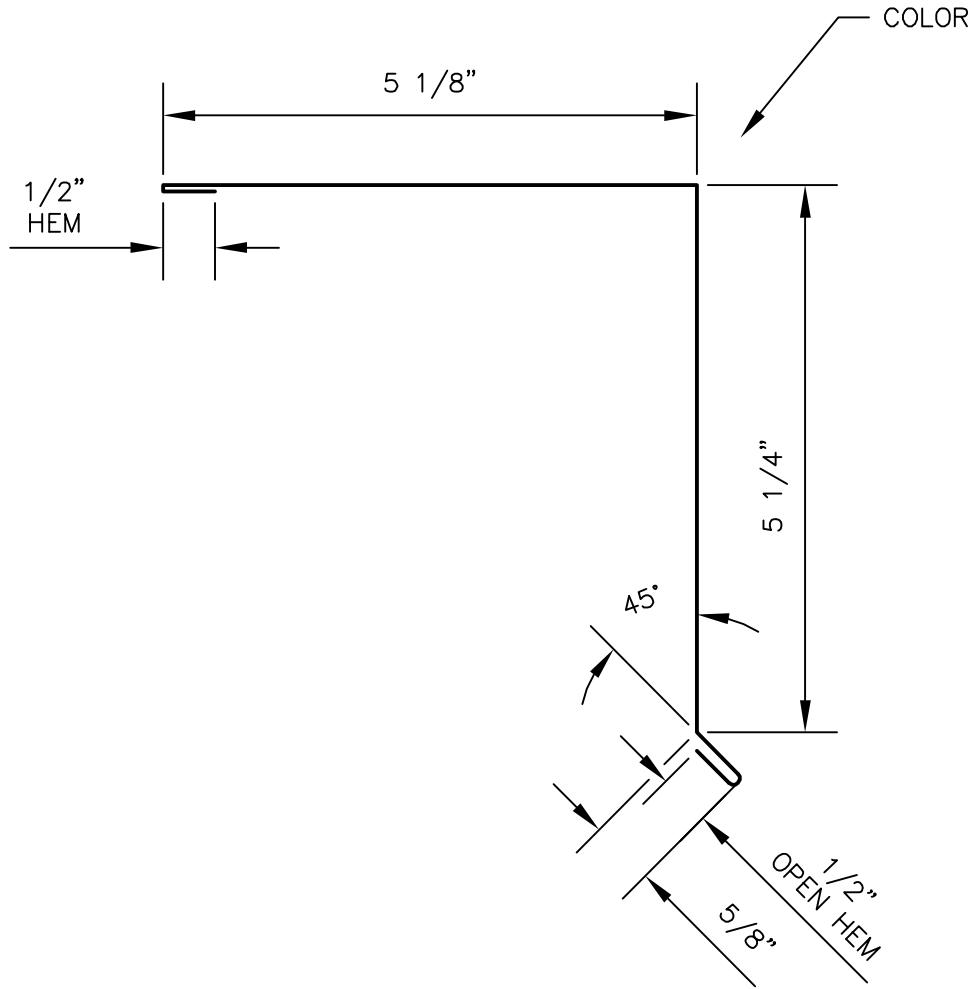


RAKE TRIM

PANEL PROFILES	GAUGE
MEDALLION I	24

6-25-13 rev.
10-13-11 rev.
6-20-11

GIRTH: 11"
BENDS: 90° AND AS SPECIFIED

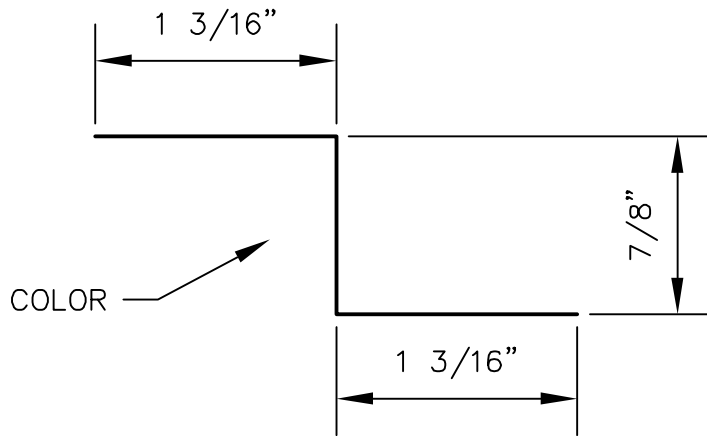


RAKE TRIM

PANEL PROFILES	GAUGE
MEDALLION II	24
MEDALLION-LOK	24
MAXIMA 1.5"	24
MAXIMA 2"	24
MAXIMA 3"	24
MAXIMA ADV	24

6-25-13 rev.
 10-13-11 rev.
 6-20-11

GIRTH: 12"
 BENDS: 90° AND AS SPECIFIED

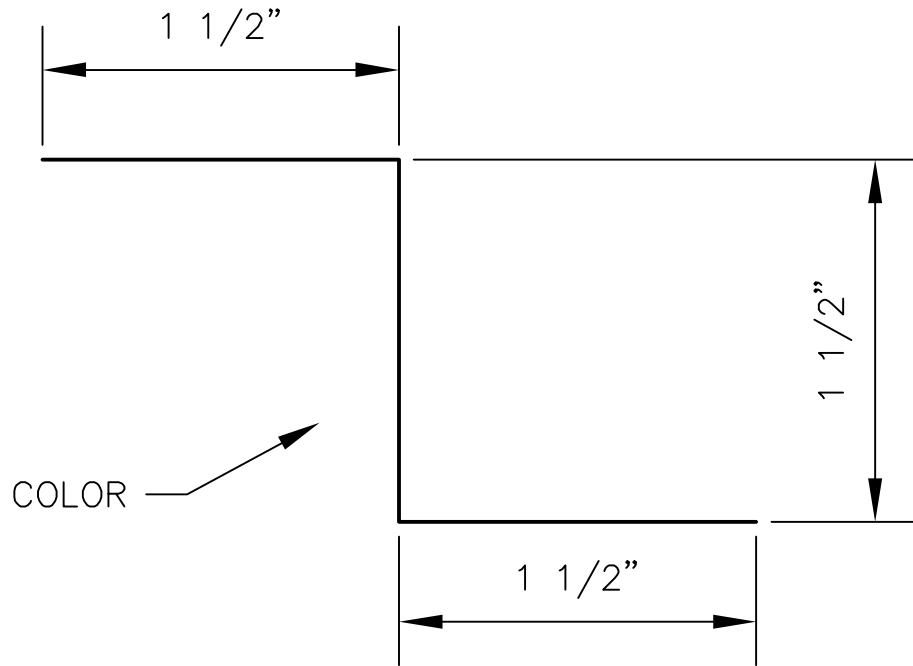


ZEE CLOSURE

PANEL PROFILES	GAUGE
MEDALLION I	24

6-25-13 rev.
10-13-11 rev.
1-14-94

GIRTH: 3 1/4"
BENDS: 90°

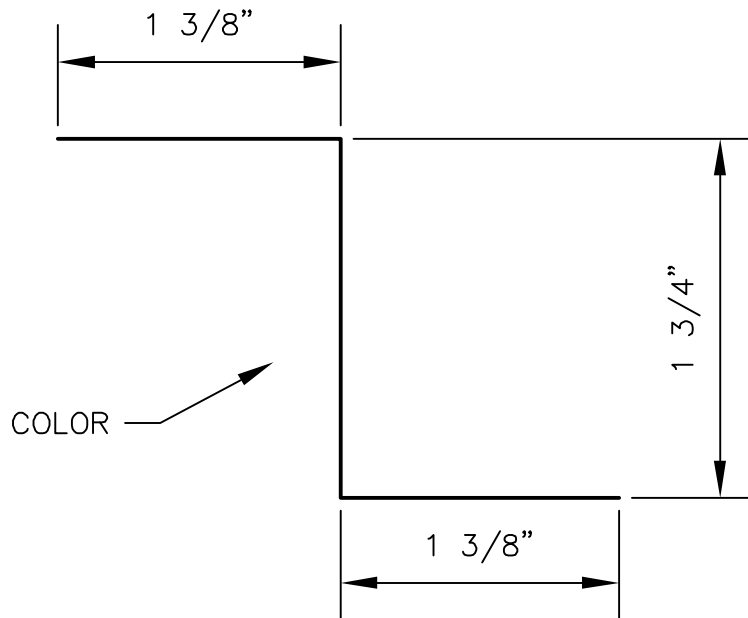


ZEE CLOSURE

PANEL PROFILES	GAUGE
MEDALLION II	24

6-25-13 rev.
10-12-11 rev.
1-14-94

GIRTH: 4 1/2"
BENDS: 90°

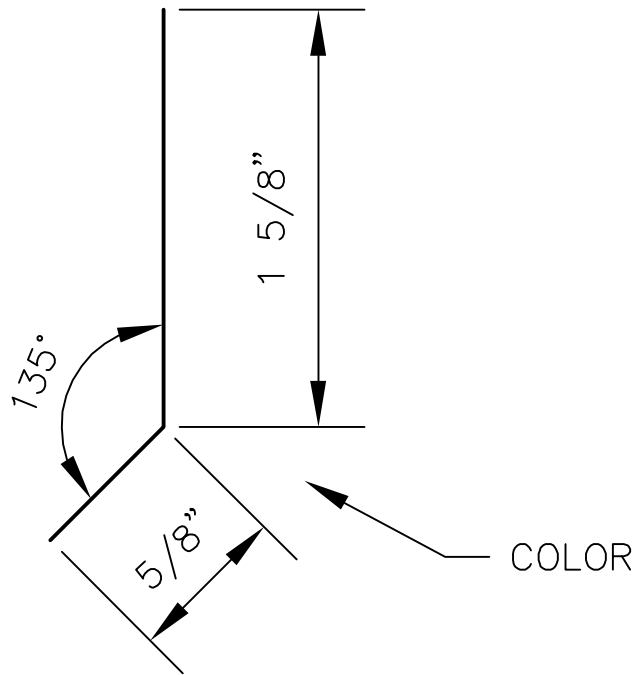


ZEE CLOSURE

PANEL PROFILES	GAUGE
MEDALLION-LOK	24

6-25-13 rev.
10-12-11 rev.
1-14-94

GIRTH: 4 1/2"
BENDS: 90°

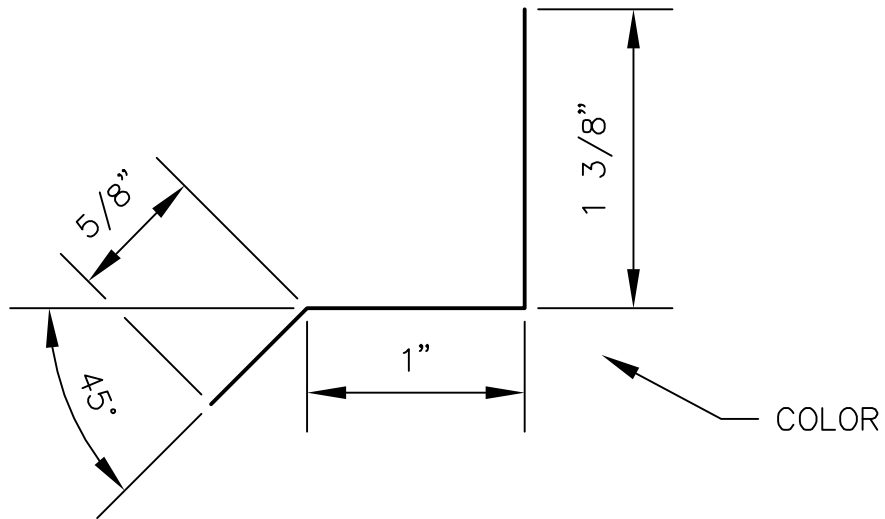


PERIMETER CLEAT

PANEL PROFILES	GAUGE
MEDALLION I	24
MEDALLION II	24
MEDALLION-LOK	24

6-25-13 rev.
10-12-11 rev.
1-14-94

GIRTH: 2 1/4"
BENDS: AS SPECIFIED

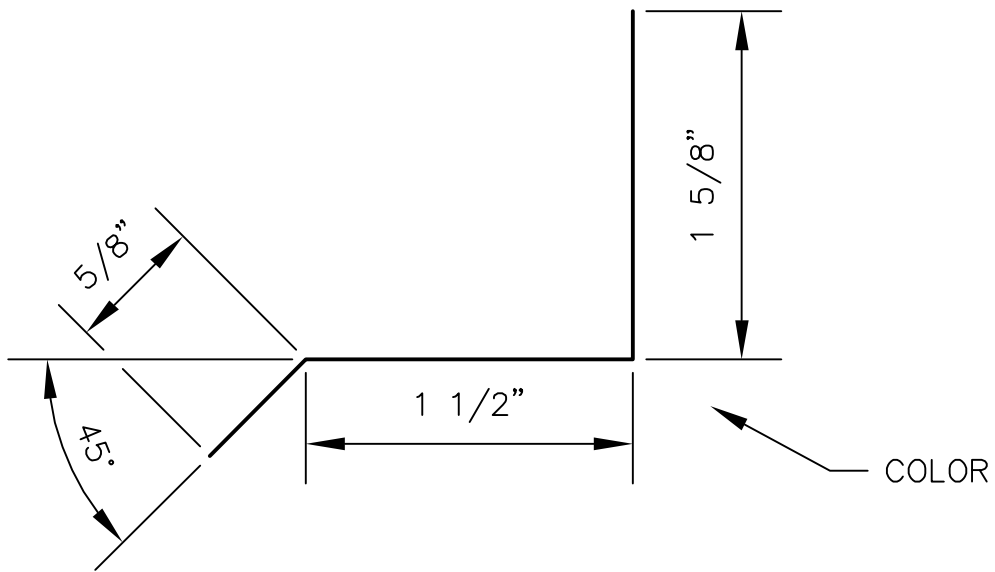


PERIMETER ZEE

PANEL PROFILES	GAUGE
MEDALLION I	24

6-25-13 rev.
10-12-11 rev.
1-14-94

GIRTH: 3"
BENDS: 90° AND AS SPECIFIED

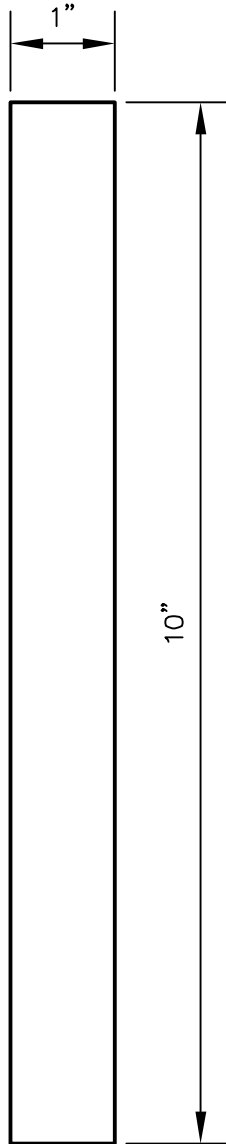


PERIMETER ZEE

PANEL PROFILES	GAUGE
MEDALLION II	24

7-15-14 rev.
10-12-11 rev.
1-14-94

GIRTH: 3 3/4"
BENDS: 90° AND AS SPECIFIED

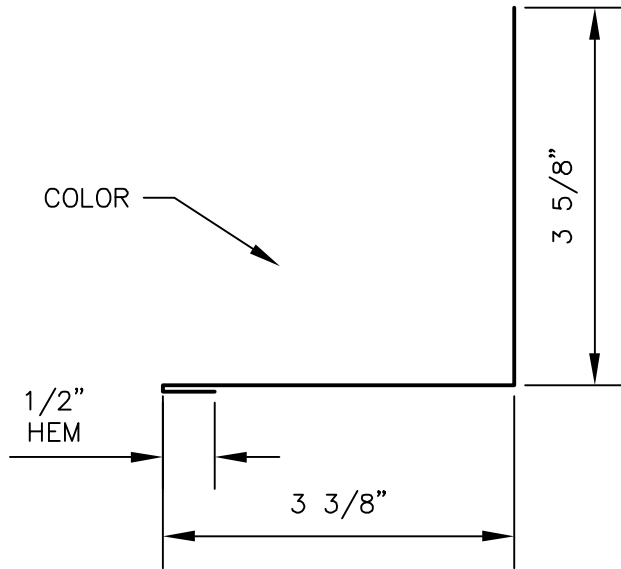


GUTTER STRAP

PANEL PROFILES	GAUGE
ALL PANELS	24

6-25-13 rev.
10-13-11 rev.
1-14-94

GIRTH: 1" X 10"
BENDS: NONE

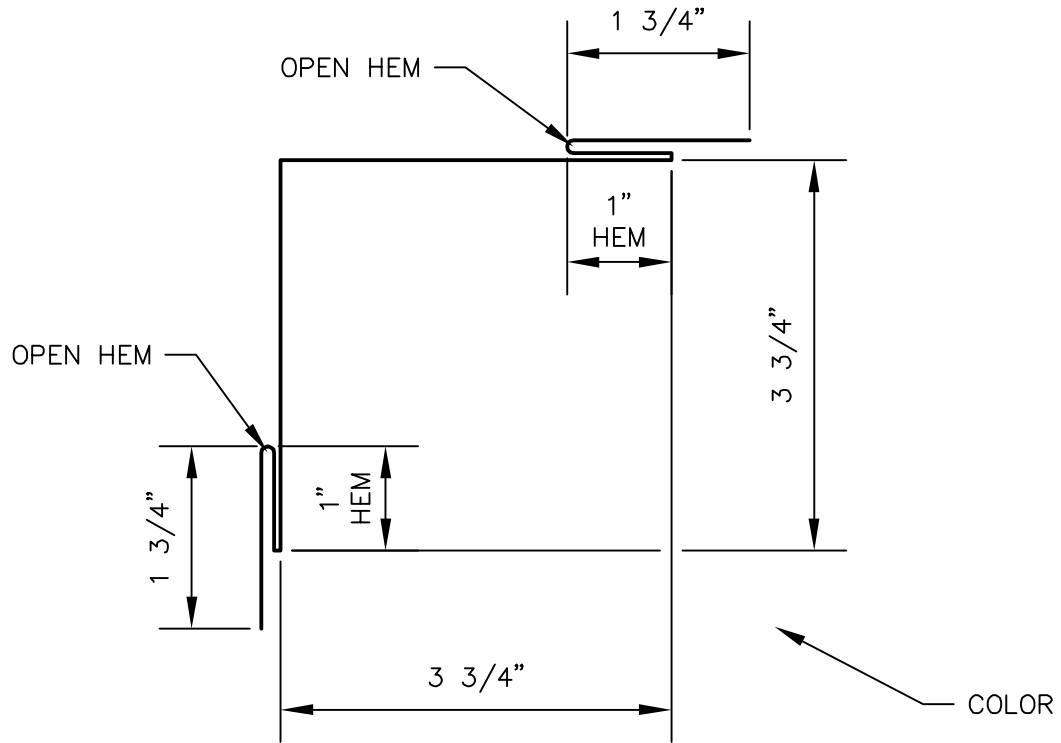


RAKE TIE-IN TRIM

PANEL PROFILES	GAUGE
MEDALLION I	24
MEDALLION II	24
MEDALLION-LOK	24
MAXIMA 1.5"	24
MAXIMA 2"	24
MAXIMA 3"	24
MAXIMA ADV	24

9-08-14 rev.
 8-21-13 rev.
 10-13-11 rev.
 6-20-11

GIRTH: 7 1/2"
 BENDS: 90° AND AS SPECIFIED

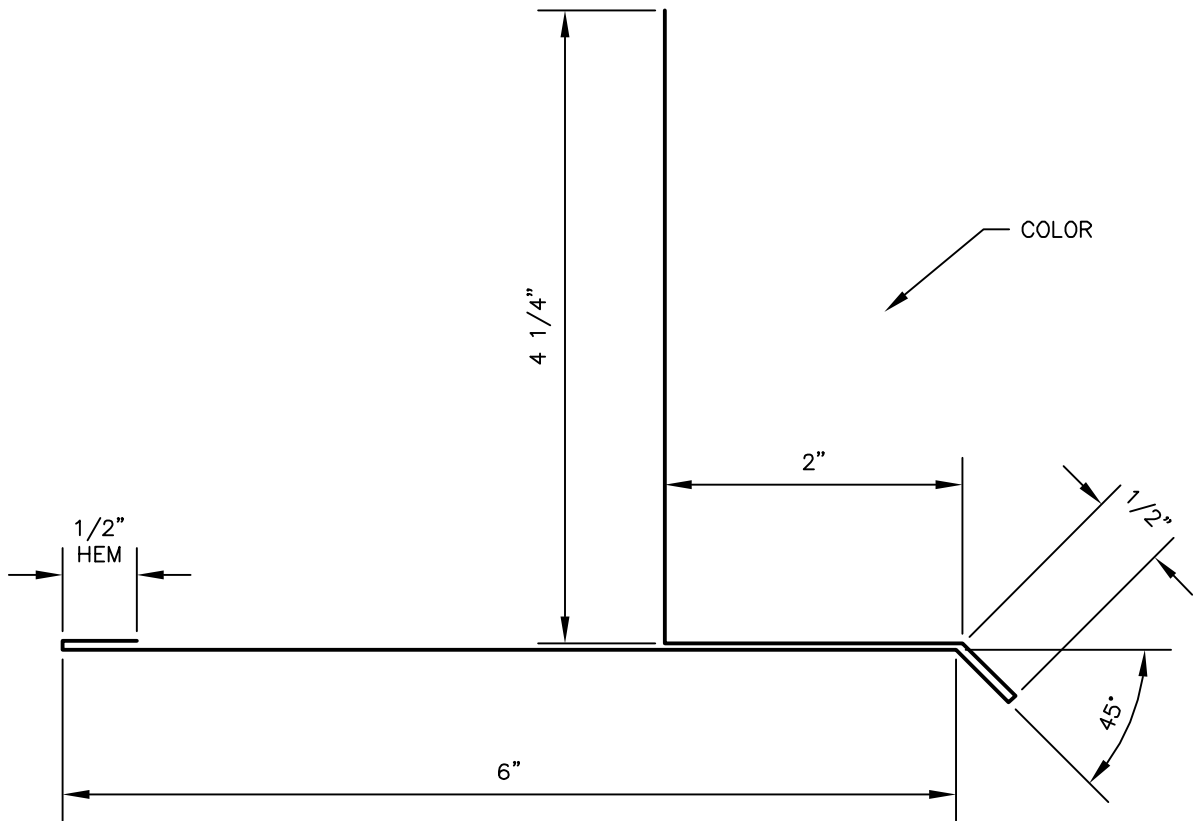


INSIDE CORNER TRIM

PANEL PROFILES	GAUGE
MEDALLION I	24
MEDALLION II	24
MEDALLION-LOK	24

6-25-13 rev.
 10-13-11 rev.
 1-14-94

GIRTH: 13"
 BENDS: 90° AND AS SPECIFIED

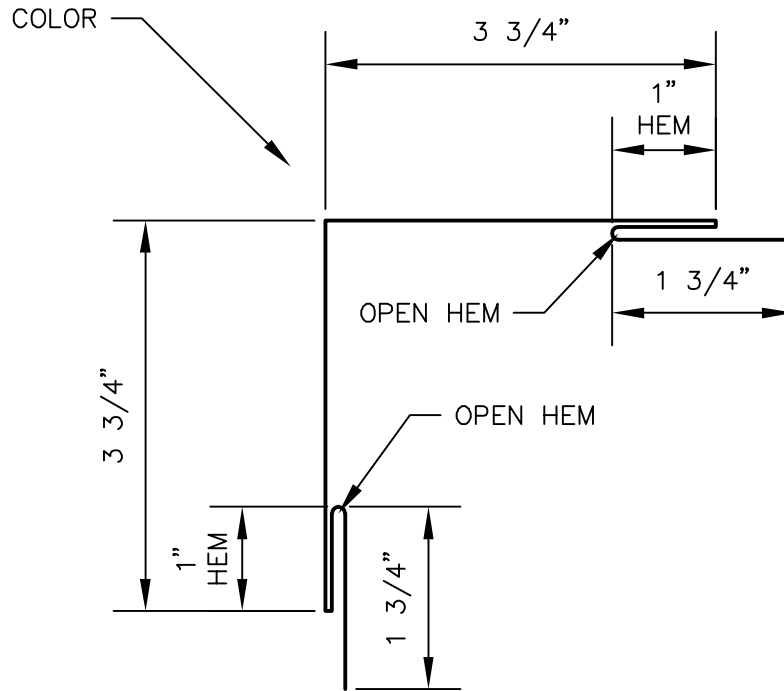


SOFFIT BASE TRIM

PANEL PROFILES	GAUGE
MEDALLION I	24
MEDALLION II	24
MEDALLION-LOK	24

6-25-13 rev.
10-13-11 rev.
6-20-11

GIRTH: 13 3/4"
BENDS: 90° AND AS SPECIFIED

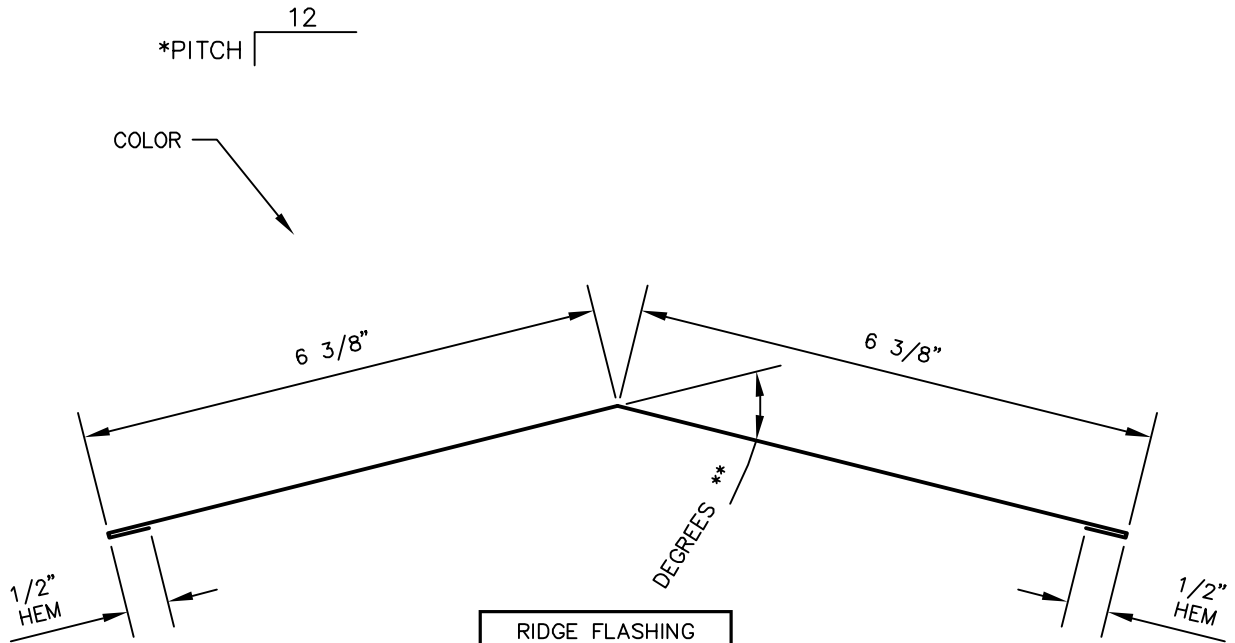


OUTSIDE CORNER TRIM

PANEL PROFILES	GAUGE
MEDALLION I	24
MEDALLION II	24
MEDALLION-LOK	24

6-25-13 rev.
 10-13-11 rev.
 1-14-94

GIRTH: 13"
 BENDS: 90° AND AS SPECIFIED



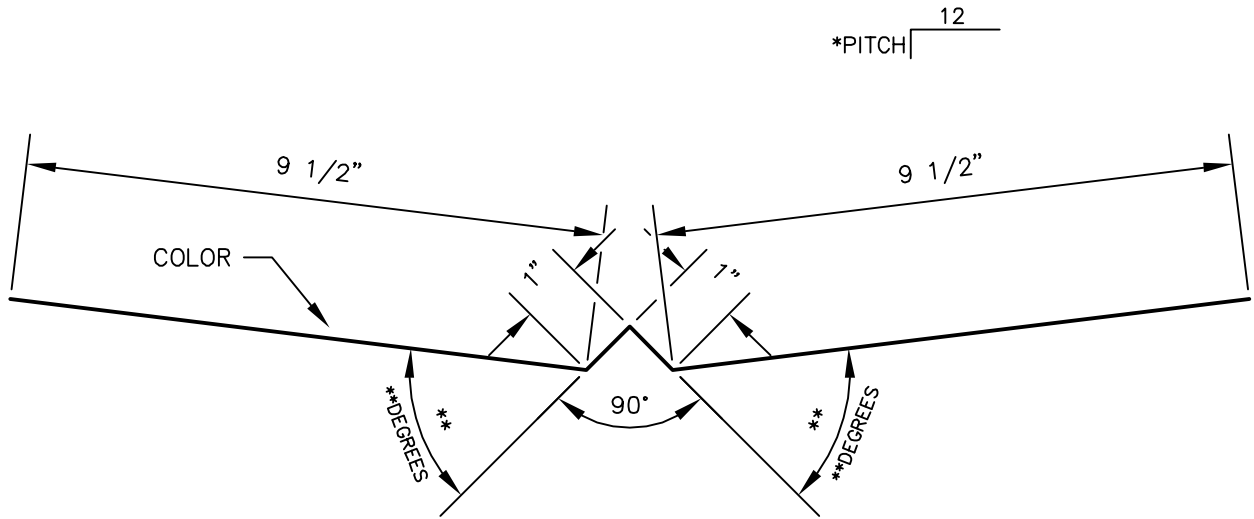
RIDGE FLASHING	
PITCH	**DEGREES
1:12	10°
2:12	19°
3:12	28°
4:12	37°
5:12	45°
6:12	53°
7:12	61°
8:12	68°
9:12	74°
10:12	80°
11:12	85°
12:12	90°

RIDGE TRIM

PANEL PROFILES	GAUGE
MEDALLION I	24
MEDALLION II	24
MEDALLION-LOK	24
MAXIMA 1.5"	24
MAXIMA 2"	24
MAXIMA 3"	24
MAXIMA ADV	24

2-8-16 rev.
 10-13-11 rev.
 1-14-94

GIRTH: 13 3/4"
 BENDS: 90° AND AS SPECIFIED



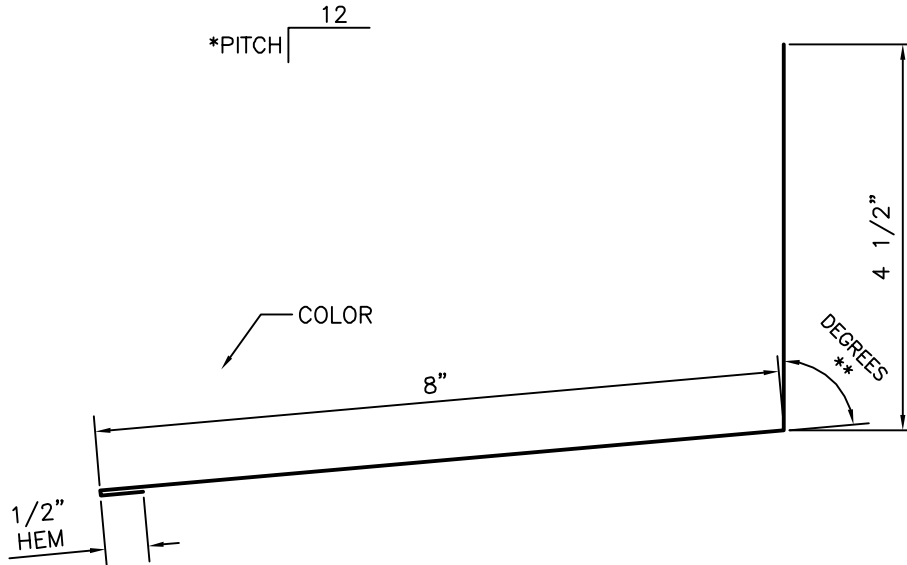
RIDGE FLASHING	
*PITCH	**DEGREES
1:12	48°
2:12	52°
3:12	55°
4:12	58°
5:12	61°
6:12	64°
7:12	68°
8:12	70°
9:12	73°
10:12	76°
11:12	79°
12:12	82°

PANEL PROFILES	GAUGE
MEDALLION I	24
MEDALLION II	24
MEDALLION-LOK	24
MAXIMA 1.5"	24
MAXIMA 2"	24
MAXIMA 3"	24
MAXIMA ADV	24

VALLEY TRIM

6-25-13 rev.
 7-20-11 rev.
 4-17-03

GIRTH: 21"
 BENDS: 90° AND AS SPECIFIED



* PITCH	IN DEGREES
1:12	85°
2:12	81°
3:12	76°
4:12	72°
5:12	67°
6:12	63°
7:12	60°
8:12	56°
9:12	53°
10:12	50°
11:12	47°
12:12	45°

HI-SIDE TIE-IN TRIM

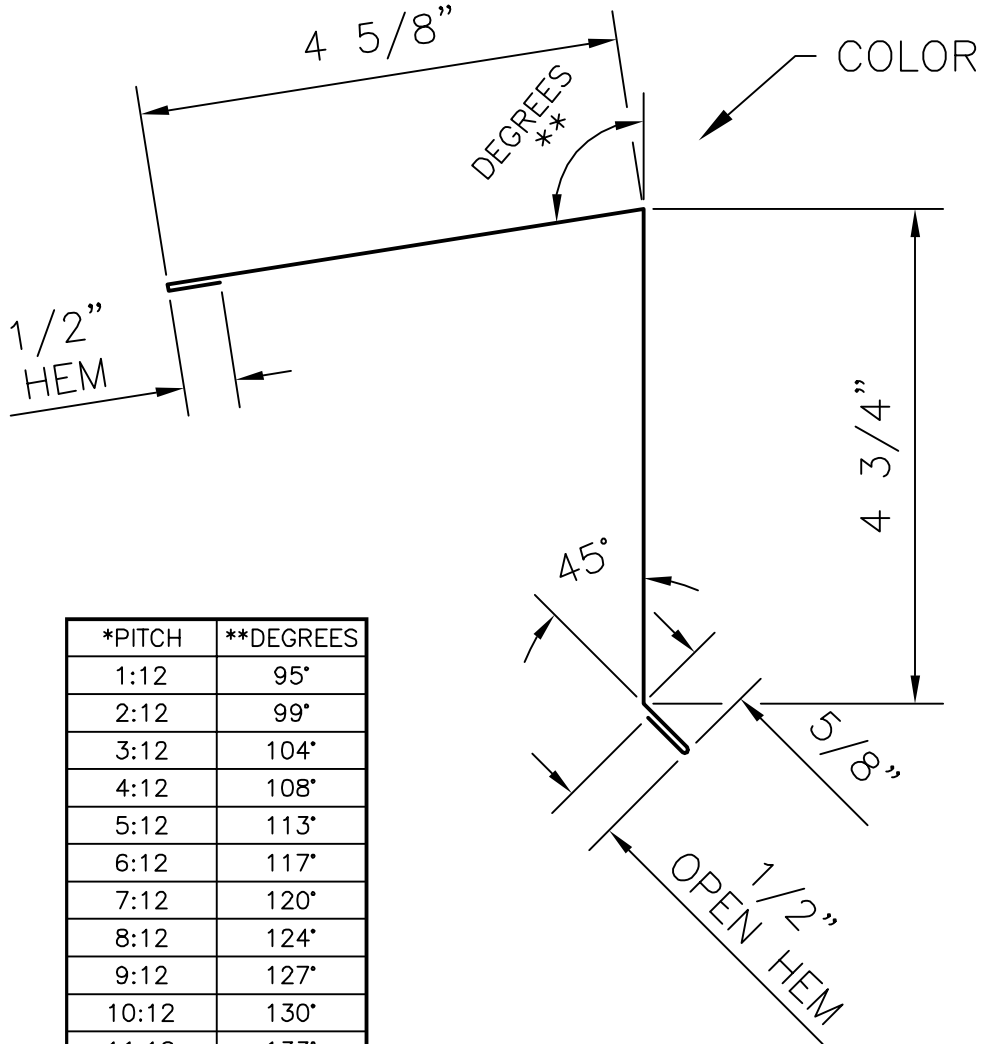
PANEL PROFILES	GAUGE
MEDALLION I	24
MEDALLION II	24
MEDALLION-LOK	24
MAXIMA 1.5"	24
MAXIMA 2"	24
MAXIMA ADV	24

8-21-13 rev.
4-29-11

GIRTH: 13"
BENDS: AS SPECIFIED



*PITCH $\frac{12}{12}$

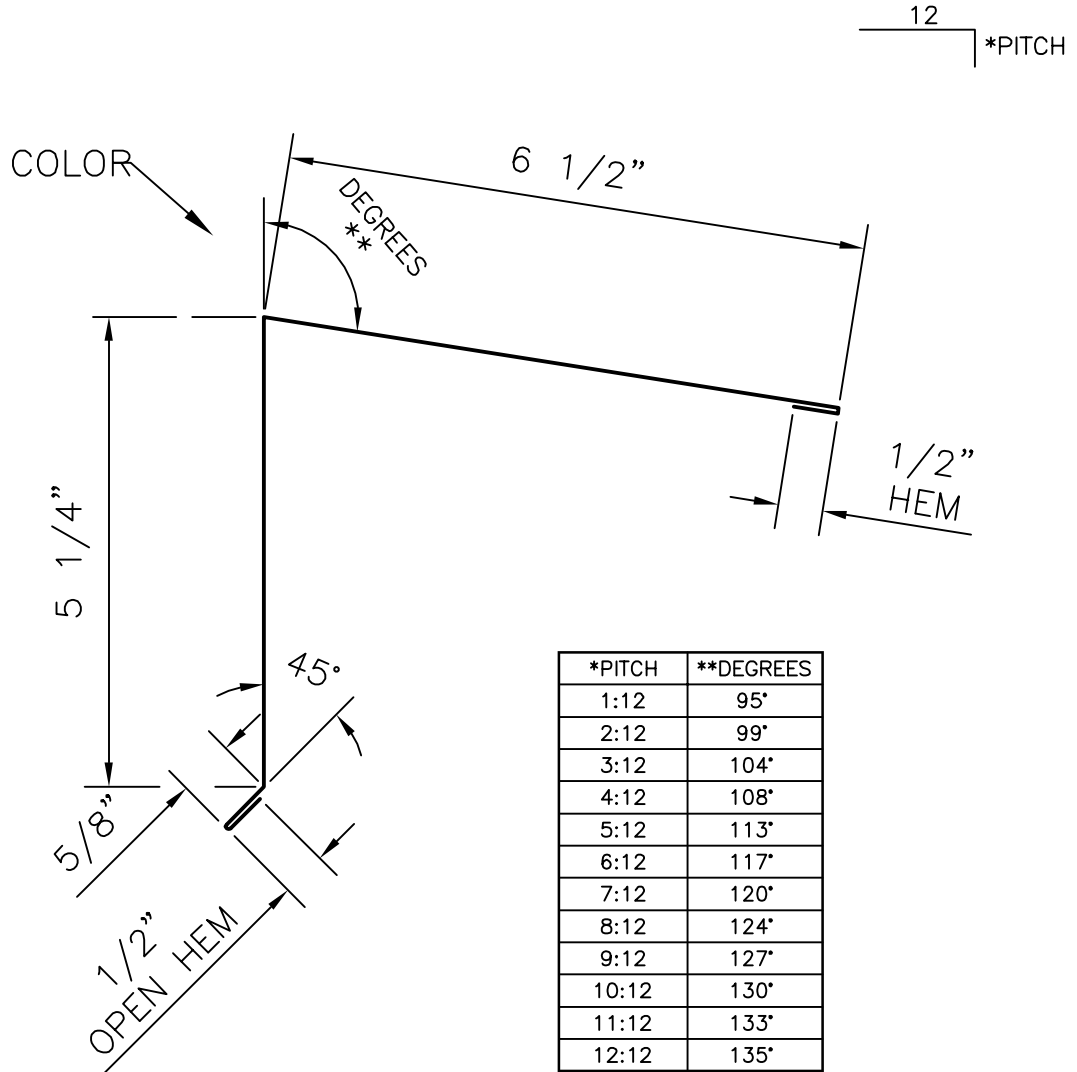


*PITCH	**DEGREES
1:12	95°
2:12	99°
3:12	104°
4:12	108°
5:12	113°
6:12	117°
7:12	120°
8:12	124°
9:12	127°
10:12	130°
11:12	133°
12:12	135°

* USE 3:12 UNLESS NOTED

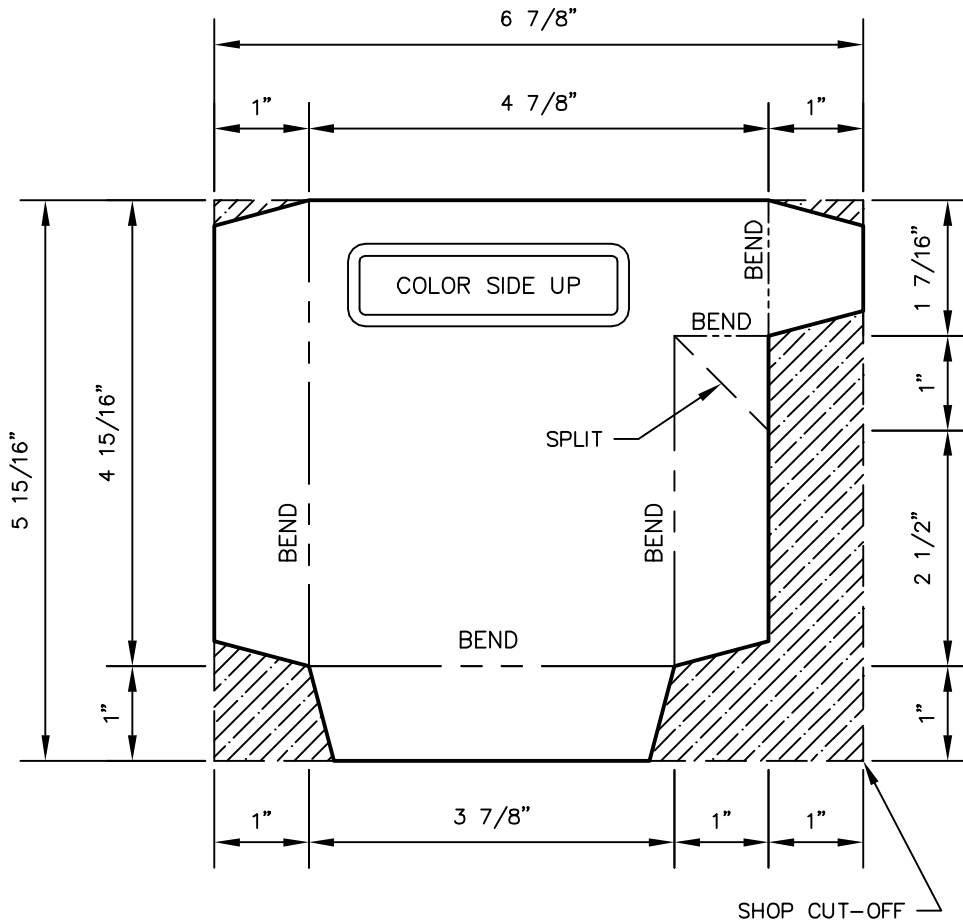
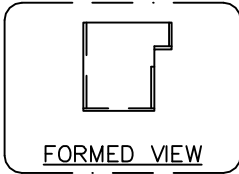
HIGH SIDE EAVE TRIM

PANEL PROFILES	GAUGE
MEDALLION I	24
MERIDIAN (ARCH)	26
MULTI-COR	26
M-COR	26



HIGH SIDE EAVE TRIM

PANEL PROFILES	GAUGE
MEDALLION II	24
MEDALLION-LOK	24
MAXIMA 1.5"	24
MAXIMA 2"	24
MAXIMA 3"	24
MAXIMA ADV	24



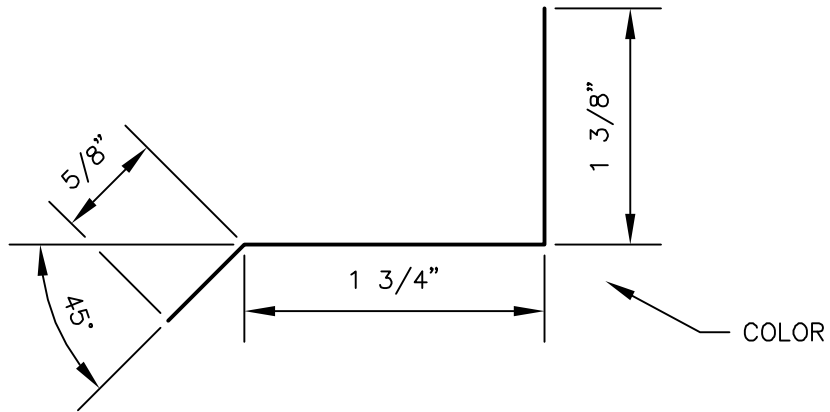
PANEL PROFILES	GAUGE
MEDALLION I	24 or 26
MEDALLION II	24 or 26
MEDALLION-LOK	24 or 26
MAXIMA 1.5"	24 or 26
MAXIMA 2"	24 or 26
MAXIMA 3"	24 or 26
MAXIMA ADV	24 or 26
MERIDIAN	26
MAX-RIB	26
MESA	26
M-COR	26
MULTI-COR	26
U-PANEL	26

GUTTER END CAP

(LEFT HAND SHOWN)
(RIGHT HAND OPP.)

8-18-14 rev.
8-22-13 rev.
9-27-11 rev.
8-25-98

GIRTH: 5 15/16" X 6 7/8"
BENDS: DOWN 90°

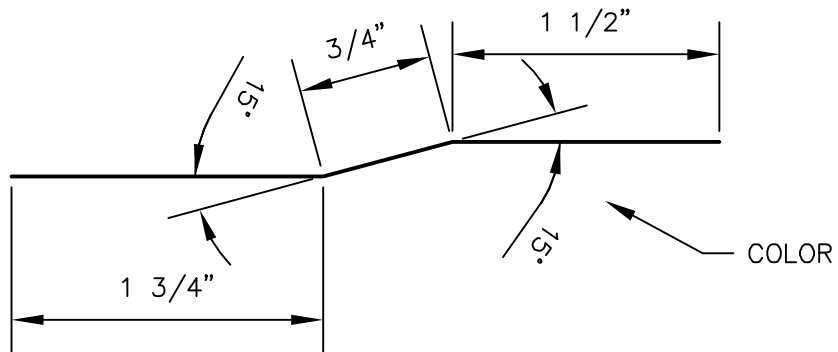


PERIMETER ZEE

PANEL PROFILES	GAUGE
MEDALLION-LOK	24

6-25-13 rev.
10-12-11 rev.
2-16-95

GIRTH: 3 3/4"
BENDS: 90° AND AS SPECIFIED

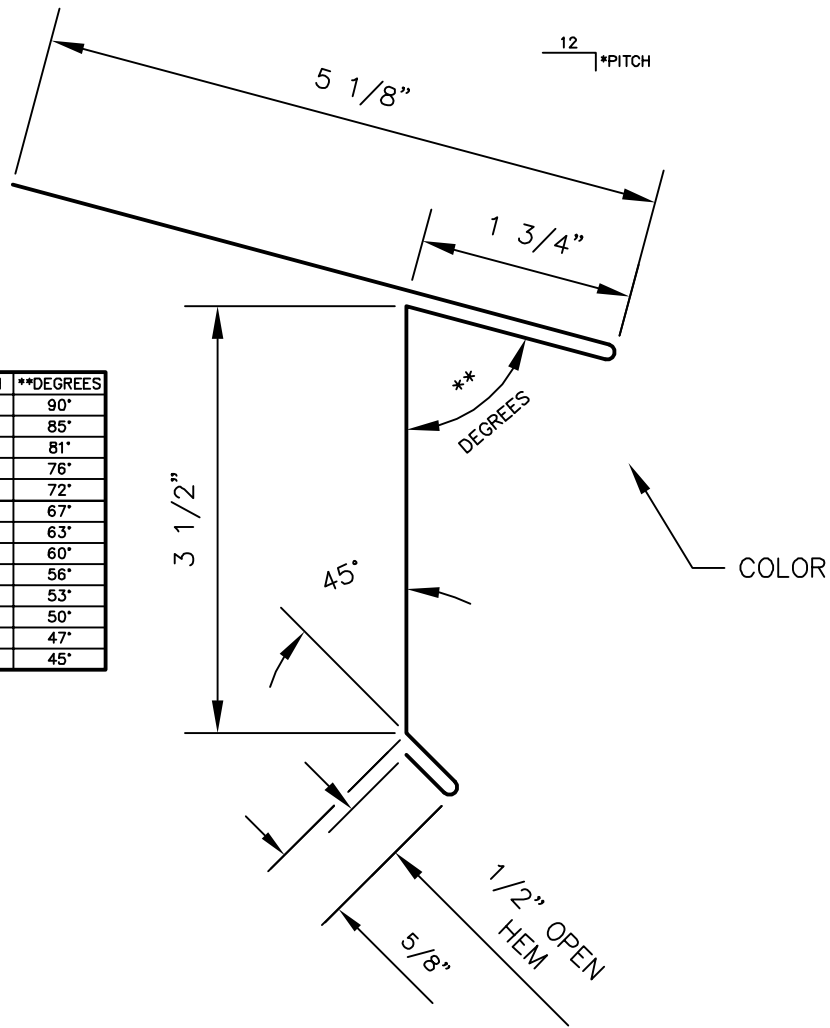


OFFSET CLEAT

PANEL PROFILES	GAUGE
MEDALLION I	24
MEDALLION II	24
MEDALLION-LOK	24

6-25-13 rev.
10-12-11 rev.
1-21-04

GIRTH: 4"
BENDS: AS SPECIFIED



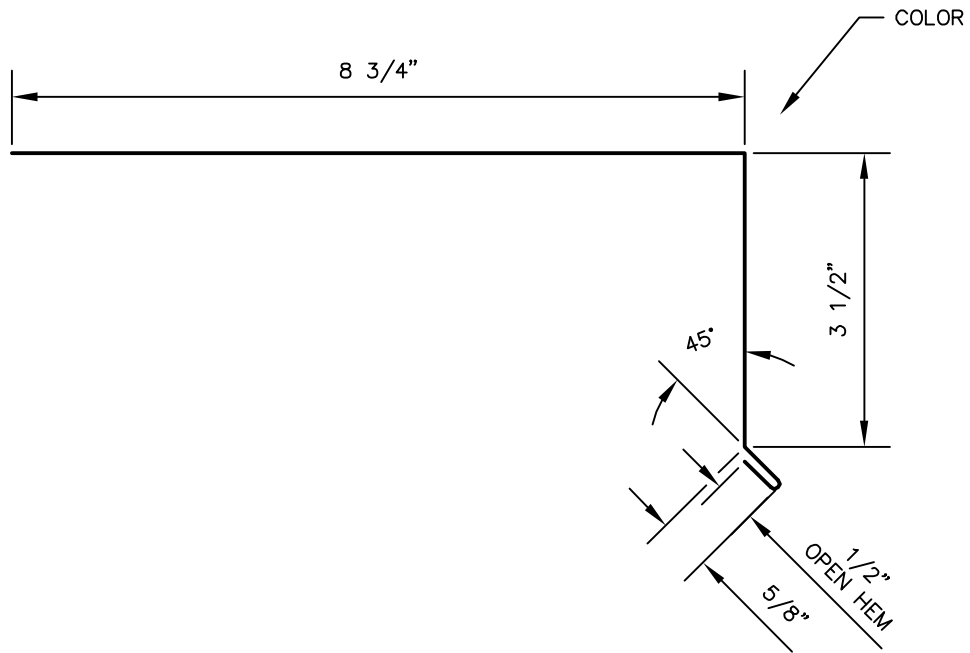
*USE 3:12
UNLESS NOTED

EAVE DRIP/RAKE TRIM

PANEL PROFILES	GAUGE
MEDALLION I	24
MEDALLION II	24
MEDALLION-LOK	24
MAXIMA 1.5"	24
MAXIMA 2"	24
MAXIMA 3"	24
MAXIMA ADV	24
MERIDIAN	26

5-12-16 rev.
8-21-13 rev.
11-19-12 rev.
6-20-11

GIRTH: 11 1/2"
BENDS: 90° AND AS SPECIFIED

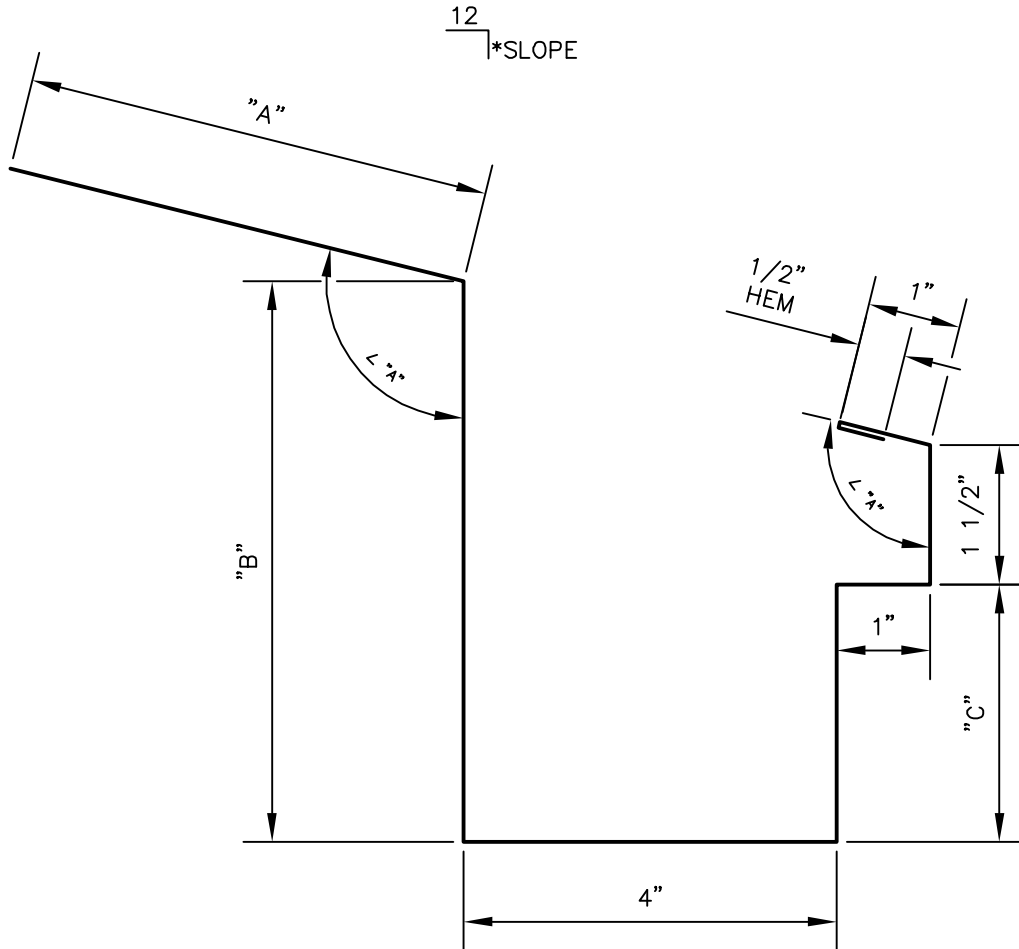


ALTERNATE RAKE TRIM

PANEL PROFILES	GAUGE
MEDALLION I	24
MEDALLION II	24

6-25-13 rev.
6-20-11

GIRTH: $13 \frac{3}{8}$ "
BENDS: 90° AND AS SPECIFIED



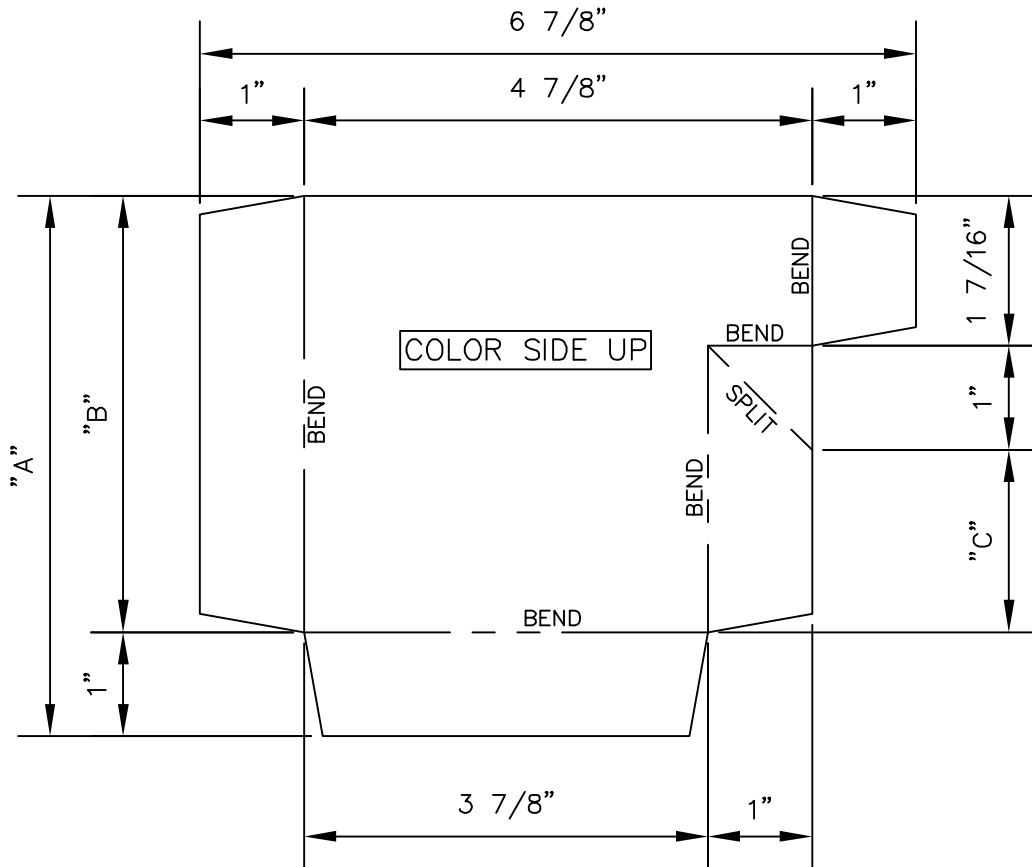
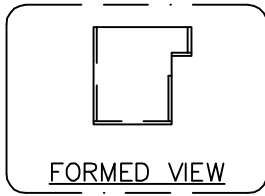
NORTHERN GUTTER

TABLE				
PITCH	∠ "A"	DIM. "A"	DIM. "B"	DIM. "C"
3:12	104°	4 3/4"	6"	2 3/4"
4:12	108°	4 7/16"	6 3/8"	2 11/16"
5:12	113°	4 3/16"	6 11/16"	2 5/8"

PANEL PROFILES	GAUGE
MEDALLION I	24
MEDALLION II	24
MEDALLION-LOK	24
MAXIMA 1.5"	24
MAXIMA 2"	24
MAXIMA 3"	24
MAXIMA ADV	24

6-25-13 rev.
9-27-11 rev
11-24-08

GIRTH: 21 1/2"
BENDS: 90° AND AS SPECIFIED



NORTHERN GUTTER END CAP - PATTERN

TABLE			
PITCH	DIM. "A"	DIM. "B"	DIM. "C"
3:12	5 3/16"	4 3/16"	1 3/4"
4:12	5 1/8"	4 1/8"	1 11/16"
5:12	5 1/16"	4 1/16"	1 5/8"

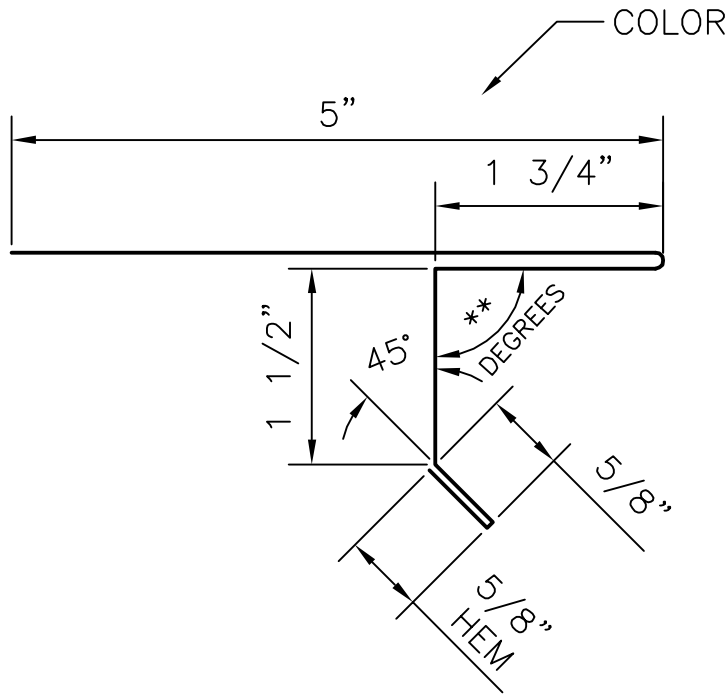
PANEL PROFILES	GAUGE
MEDALLION I	24 or 26
MEDALLION II	24 or 26
MEDALLION-LOK	24 or 26
MAXIMA 1.5"	24 or 26
MAXIMA 2"	24 or 26
MAXIMA 3"	24 or 26
MAXIMA ADV	24 or 26

8-22-13 rev.
 9-27-11 rev.
 11-24-08

GIRTH: 6 7/8" X SEE TABLE
 BENDS: DOWN 90°



12
*PITCH



*PITCH	**DEGREES
0:12	90°
1:12	85°
2:12	81°
3:12	76°
4:12	72°
5:12	67°
6:12	63°
7:12	60°
8:12	56°

EAVE DRIP/RAKE TRIM

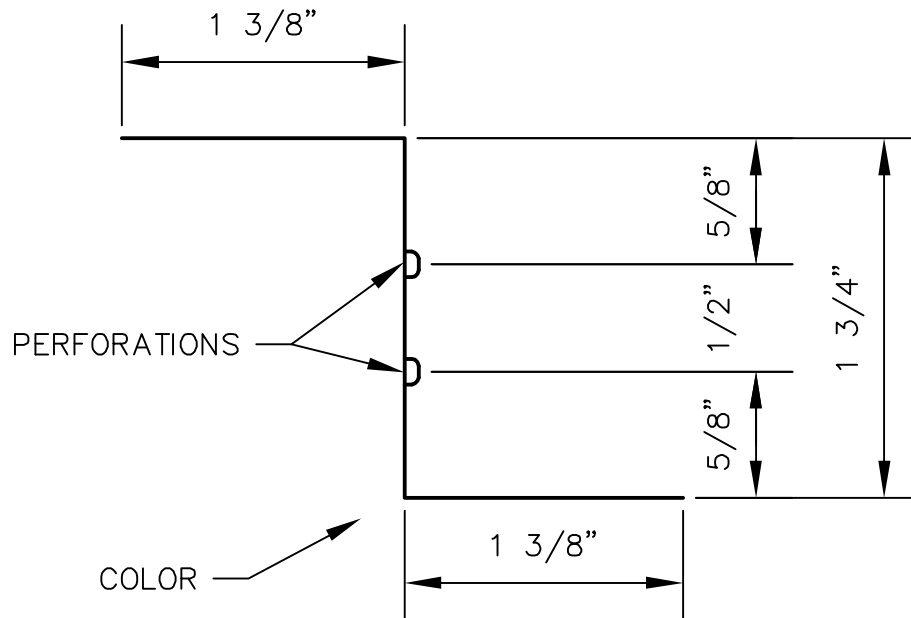
PANEL PROFILES	GAUGE
MEDALLION I	24
MEDALLION II	24
MEDALLION-LOK	24
MAXIMA 1.5"	24
MAXIMA 2"	24
MAXIMA 3"	24
MAXIMA ADV	24

5-12-16 rev.
11-19-13 rev.
8-7-12

GIRTH: 9 1/2"
BENDS: 90° UNLESS SPECIFIED



NET FREE AREA
3.7%

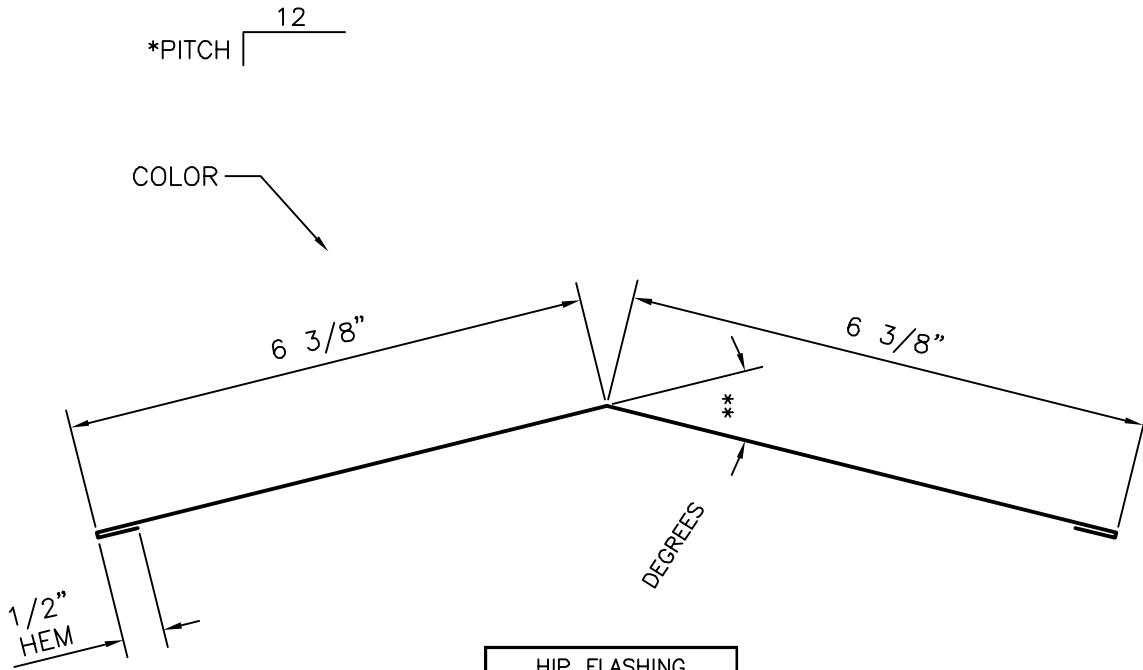


VENTED ZEE CLOSURE

!!!NOT FOR USE WITH WEATHER TIGHTNESS WARRANTIES!!!

PANEL PROFILES	GAUGE
MEDALLION-LOK	24

PEACHTREE PLANT ONLY

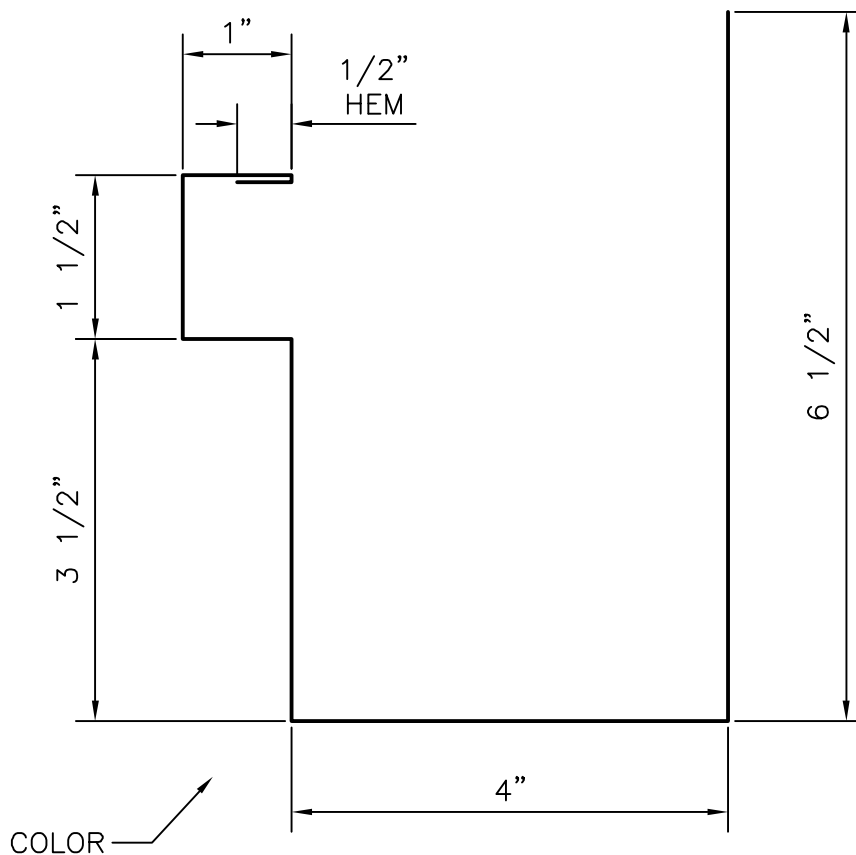


HIP FLASHING	
PITCH	**DEGREES
1:12	7°
2:12	14°
3:12	20°
4:12	27°
5:12	33°
6:12	39°
7:12	45°
8:12	51°
9:12	57°
10:12	63°
11:12	69°
12:12	75°

HIP TRIM

PANEL PROFILES	GAUGE
MEDALLION I	24
MEDALLION II	24
MEDALLION-LOK	24
MAXIMA 1.5"	24
MAXIMA 2"	24
MAXIMA 3"	24
MAXIMA ADV	24

GIRTH: 13 3/4"
BENDS: 90° AND AS SPECIFIED



FACE MOUNTED GUTTER

PANEL PROFILES	GAUGE
MEDALLION I	24
MEDALLION II	24
MEDALLION-LOK	24
MAXIMA 1.5"	24
MAXIMA 2"	24
MAXIMA 3"	24
MAXIMA ADV	24

GIRTH: 18"
 BENDS: 90° UNLESS SPECIFIED