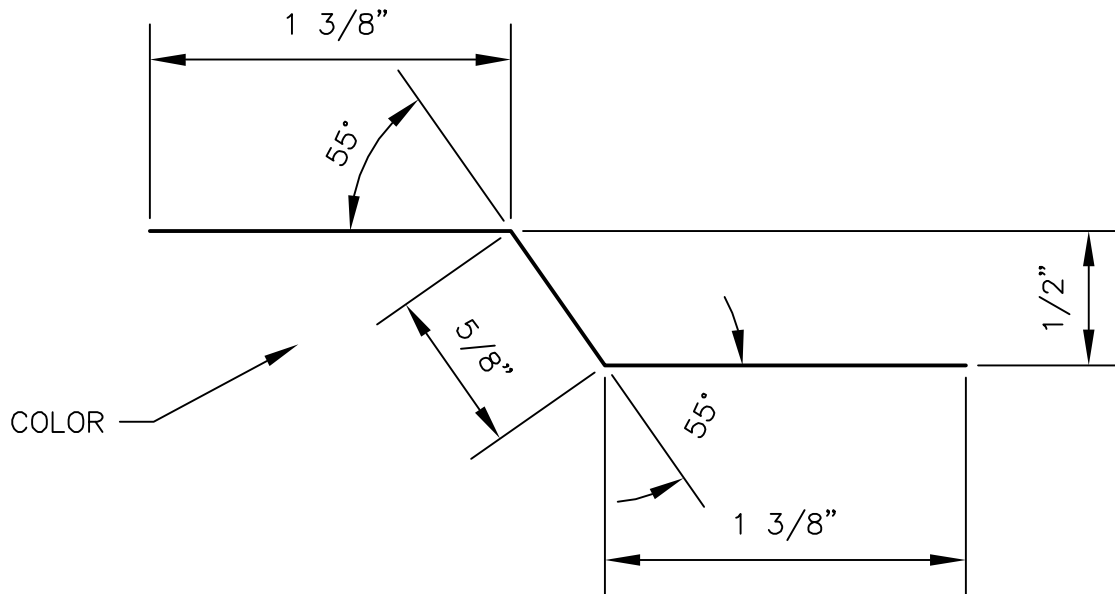


COR-A-VENT INDEX

<u>DWG #:</u>	<u>DESCRIPTION:</u>	<u>IMAGE #:</u>
CAV-0001	Spacer Trim	149
CAV-0002	Diverter Trim	148
CAV-0003	Ridge Flashing (for Standing Seam)	351



SPACER TRIM

(USED WITH: COR-A-VENT, UNIVERSAL VENT AND PROFILE VENT PRODUCTS)

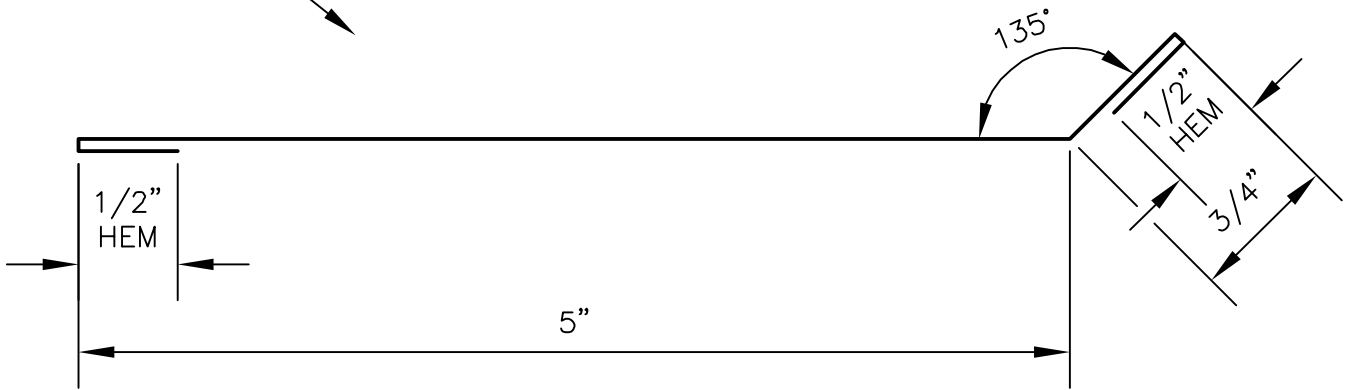
PANEL PROFILES	GAUGE
ALL PANELS	24

9-05-14 rev.
6-04-13 rev.
10-12-11 rev.
9-30-08

GIRTH: 3 3/8"
BENDS: AS NOTED



COLOR →



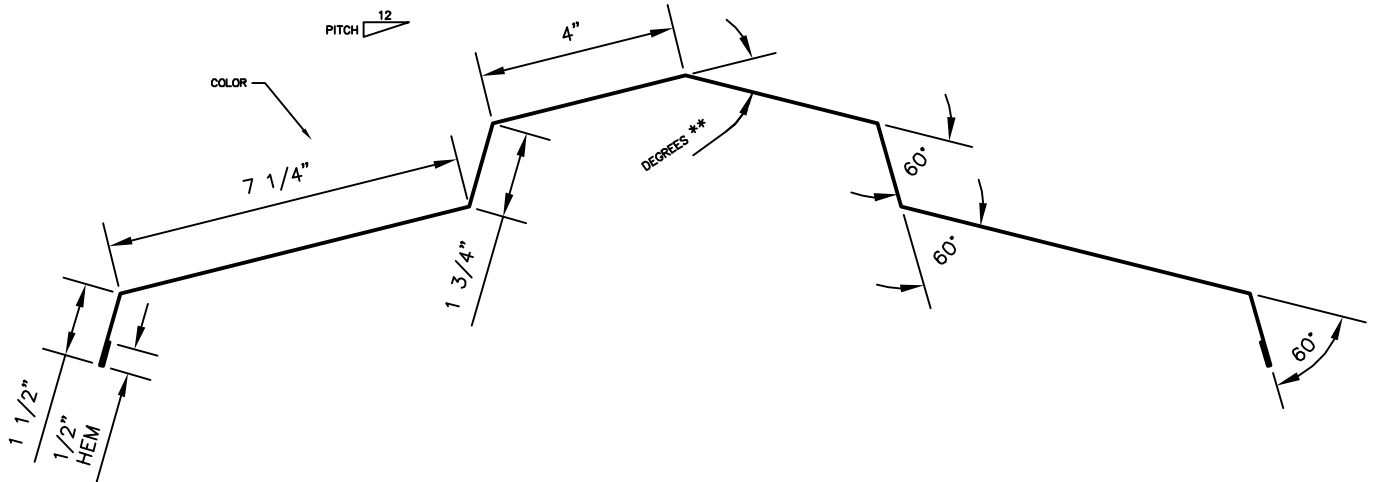
WATER DIVERTER TRIM

(USED WITH: COR-A-VENT PRODUCTS)

PANEL PROFILES	GAUGE
ALL PANELS	24

6-04-13 rev.
10-12-11 rev.
9-30-08

GIRTH: 6 3/4"
BENDS: AS NOTED



PITCH	**DEGREES
3:12	28°
4:12	37°
5:12	45°
6:12	53°
7:12	61°
8:12	67°
9:12	74°
10:12	80°
11:12	85°
12:12	90°

PANEL PROFILES	GAUGE
MAXIMA 1.5"	24
MAXIMA 2"	24
MAXIMA 3"	24
MAXIMA ADV	24
MASTERLOK-90	24
MASTERLOK-FS	24

RIDGE FLASHING
 (COR-A-VENT)
 (FOR STANDING SEAM PANELS)